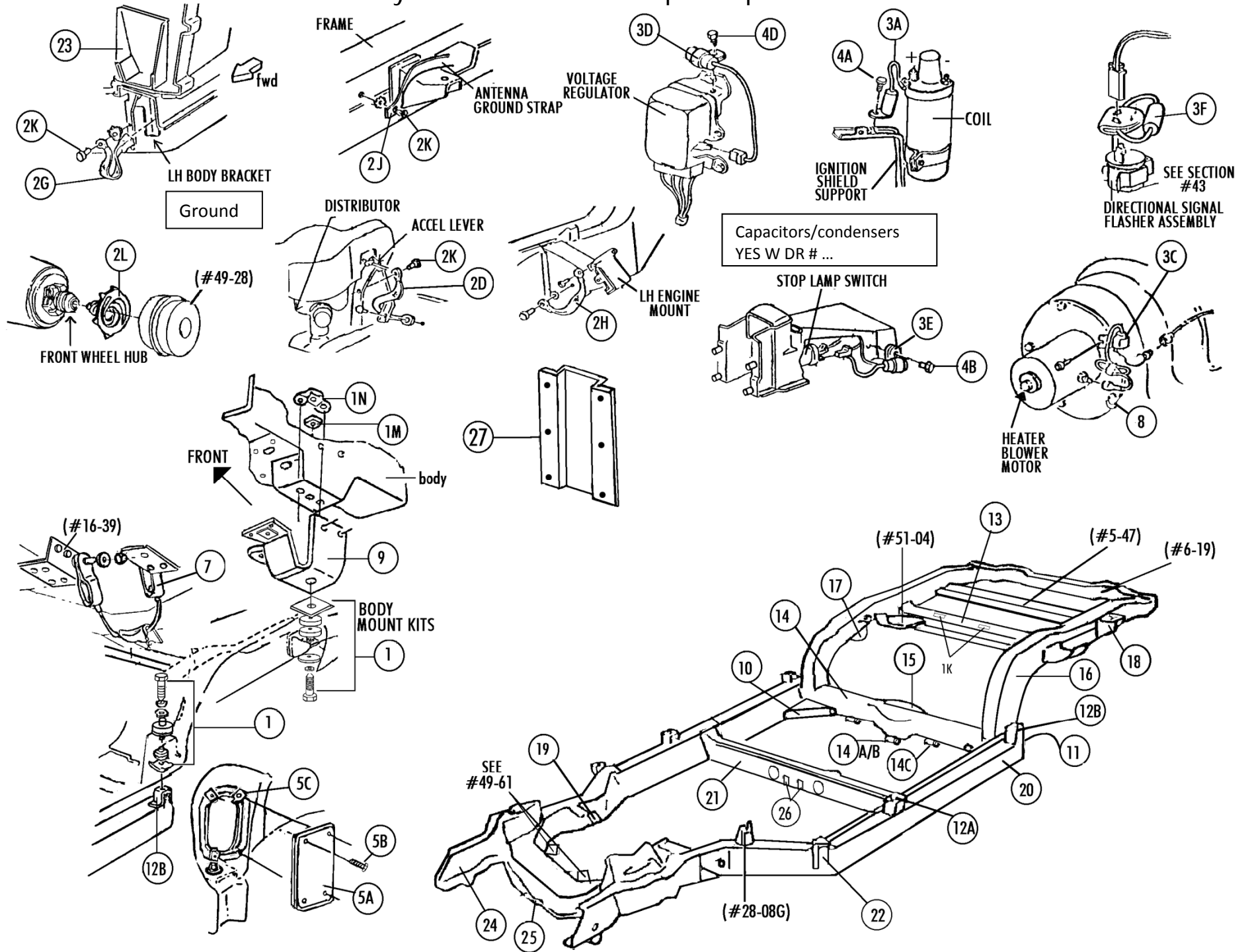


Section #53 Body Mounts - Ground Straps - Capacitors - Frame & Brackets



Section #53 Body Mounts - Ground Straps - Capacitors - Frame & Brackets

Body Mount Kits – WB Headmark -- includes: all rubber mounts, shims, blocks, bolts, spacers, washers, (as required / year) (63set= 12 Ushims, 64-67 includes 6 U, 14 square shims)

| Sect-part# | Name | Year | #need/car | Price |
|------------|--|------|-----------|----------------|
| 53-01A | Body Mounting Kit- 63 Coupe & Roadster | 63 | 1 | 74.00 |
| 53-01B | Body Mounting Kit- 64 Coupe | 64 | 1 | 99.00 |
| 53-01C | Body Mounting Kit-64 Roadster | 64 | 1 | 99.00 |
| 53-01F | Body Mounting Kit- 65-67 Coupe | 65-7 | 1 | 99.00 |
| 53-01G | Body Mounting Kit- 65-7 Roadster | 65-7 | 1 | 99.00 |
| 53-01H | Body Mounting Shims (square) (1/16" Thick) (1) | 63-7 | - | 2.50 Each |
| 53-01J | Body Mounting Shim (U Shape) (1/16" Thick) (1) | 63-7 | - | 2.50 Each |
| 53-01K | Body Mount Rectangular Rubber Blocks (2) | 63 | 1 PR | 16.00 Pair |
| 53-01L | >Body Mounting Kit Addition For 64 After 4/21/64 | 64 | 1 | 25.00 |
| 53-01M | Body Mount Large Square Nuts (2) | 63-7 | 1 PR | 15.00 Pair |
| 53-01N | Nut Cage & Rivets (at Body Mount #4) (1) | 63-7 | 2 | 9.50 Each |
| 53-01P | Aluminum Spacer @#1 Body Mount (pr)(Rdster only) | 64-7 | 1 PR | 14.00 Pair |
| 53-01Q | X Body Mount Lower Cushion (Metal & Rubber) (1) | 64-7 | 6 | x only in sets |
| 53-01R | X Body Mount Upper Cushion (1) | 64-7 | 6 | x only in sets |

>Ground Straps – ground strap sets – (screws not included – see 53-02K

| | | | | |
|--------|--|------|-------|------------|
| 53-02A | Ground Strap Set (63 Only) (9 Pc) | 63 | 1 SET | 30.00 Set |
| 53-02B | Ground Strap Set (without Side Exhaust) (6 Pc) | 64-7 | 1 SET | 29.00 Set |
| 53-02C | Ground Strap Set (with Side Exhaust) (4 Pc) | 65-7 | 1 SET | 22.00 Set |
| 53-02K | Ground Strap Bolt (E) And Lw Set (set Of 7) | 63-7 | 1 SET | 6.00 Set |
| 53-02D | Accelerator Lever Ground Strap | 63-7 | 1 | 7.50 |
| 53-02E | Exhaust At Center Hanger Gnd Strap | 63 | 1 | 5.00 |
| 53-02F | Exhaust At Center Hanger Gnd Strap | 64-7 | 2 | 5.00 Each |
| 53-02G | Body To Frame Ground Strap (sil Plate) | 63-7 | 1 | 7.00 |
| 53-02H | Engine To Frame Ground Strap | 63-7 | 1 | 7.50 |
| 53-02J | Antenna Ground Strap | 63-7 | 1 | 6.00 |
| 53-02K | Ground Strap Bolt (E) And Lw Set (set Of 7) | 63-7 | 1 SET | 6.00 Set |
| 53-02L | Front Wheel Static Collector (1) | 63-7 | 2 | 19.00 Each |

Radio Capacitors – correct with DR and number – see photos online

| | | | | |
|---------|--|-------|------|--------------------|
| 53-03A3 | Capacitor On Coil Bracket 327 | 63-5 | 1 | 20.00 |
| 53-03A7 | Capacitor On Coil Bracket 327 | 66-7 | 1 | 20.00 |
| 53-03B | Capacitor On Coil Bkt,427/390-400 NO TI > (390-400 NO TI ONLY) (390HP NO TI AFT 10/65) | 66-7 | 1 | 20.00 |
| 53-03C | Capacitor On Heater Blower Motor (replacement) | 64-7 | 1or2 | 65.00 Each |
| 53-03C3 | Capacitor On Heater Blower Motor (replacement) | 63 | 1 | 65.00 |
| 53-03D3 | Capacitor On Voltage Regulator | 63-4 | 1 | 20.00 |
| 53-03D5 | Capacitor On Voltage Regulator | 65-7 | 1 | 20.00 |
| 53-03E | X Capacitor On Brake Light Switch | 64-7 | 1 | .DISCONTINUED |
| 53-03F | x Capacitor On Directional Blinker AM/FM - no more | 63L-7 | 1 | .discontinued. |
| 53-03G | X Capacitor On Ammeter (behind Dash) | 63-7 | 1 | .discontinued |
| 53-03H | x Capacitor With Plug (behind Dash Near Ign Sw) | 63-7 | 1 | not avail/discontd |
| 53-03J | x Capacitor w Plastic Clip (E/Brake Behind Dash) | 64-7 | 1 | .discontinued |
| 53-03JB | block & pin for wire for Capacitor (E/Brake Behind Dash) | 64-7 | 1 | 7.50 |
| 53-03K | Capacitor On Pkg Brake Switch & Brake Light Sw | 63 | 2 | 20.00 Each |
| 53-03L | Capacitor On Am Directional Switch (before 1/63) | 63 | 1 | 20.00 |
| 53-03M | Capacitor In Alternator | 63-7 | 1 | 20.00 |
| 53-03N | Capacitor In Distributor (with Dr & Number) | 63-7 | 1 | 20.00 |
| 53-04A | Screw- Capacitor On Coil Bracket (327/427) | 63-7 | 1 | 0.50 |
| 53-04B | Screw- Capacitor On Brake Switch | 64-7 | 1 | 0.75 |
| 53-04D | Screw- Capacitor On Voltage Regulator | 65-7 | 1 | 0.50 |
| 53-04E | Screw For Ground Wire To Radiator Support | 63-7 | 1 | .95 |

Rear Access Plates , screws, nuts

| | | | | |
|--------|---|------|-------|---------------|
| 53-05A | Rear Body Mount Access Plate | 63-7 | 2 | 7.00 Each |
| 53-05B | Access Plate Screw With Att Ext Lw (8) | 63-7 | 1 SET | 6.00 Set |
| 53-05C | U-nut Set For Rear Access Plates (set Of 8) | 63-7 | 1 SET | 3.00 Set |
| 53-07B | X Seat Belt Cable And Hardware Set (3 Cables) DISCONTINUED | 65-7 | 1 SET | .DISCONTINUED |
| 53-07D | Hardware (bolts,nuts,washers)For Seat Belt Cables | 65-7 | 1 SET | 4.00 Set |
| 53-07E | Seat Belt Center Cable (no stud) (8" ball to ball) | 65-7 | 1 | \$ 45.00 |
| 53-07F | X Seat Belt Outer Cables (w/stud) discontinued | 65-7 | 2 | N/A |
| 53-07G | XShoulder Harness Cables (with NO3 (BIG TANK)) discontinued | 66-7 | 1 PR | N/A |
| 53-08 | Ground Terminal On Blower Motor | 64-7 | 1 | 3.00 |

| Sect-part# | Name | Year | #need/car | Price |
|------------|---|-------|-----------|---------------|
| 53-09A | Body Mount #4 Reinforcement- All LH | 63 | 1 | \$ 35.00 |
| 53-09B | Body Mount #4 Reinforcement- All RH | 63 | 1 | 35.00 |
| 53-09C | Body Mount #4 Reinforcement- Coupe LH | 64-7 | 1 | 35.00 |
| 53-09D | Body Mount #4 Reinforcement- Coupe RH | 64-7 | 1 | 35.00 |
| 53-09E | Body Mount #4 Reinforcement- Roadster LH | 64 | 1 | 35.00 |
| 53-09F | Body Mount #4 Reinforcement- Roadster RH | 64 | 1 | 35.00 |
| 53-09G | Body Mount #4 Reinforcement- Roadster LH | 65-7 | 1 | 35.00 |
| 53-09H | Body Mount #4 Reinforcement- Roadster RH | 65-7 | 1 | 35.00 |
| 53-10A | Frame Corner Gusset- LH | 65-7 | 1 | 22.00 |
| 53-10B | Frame Corner Gusset- RH | 65-7 | 1 | 22.00 |
| 53-10C | Gusset- LH or RH (after 4/21/64) | 64L | 2 | 20.00 Each |
| 53-11 | Frame Main Rail End Plate | 63-7 | 2 | 6.00 Each |
| 53-12A | Body Mount Bracket & Nut #2 (roadster only)(under Door Sil) | 64-7 | 2 | \$ 45.00 Each |
| 53-12A3 | Body Mount Bracket & Nut #2 (coupe & Roadster) | 63 | 2 | 48.00 Each |
| 53-12B | Body Mount Bracket #3 (in Front Of Rear Wheel) | 64-7 | 2 | 45.00 Each |
| 53-12B3 | Body Mount Bracket #3(in Front Of Rear Wheel) | 63 | 2 | 48.00 Each |
| 53-12C | Cage For Body Mount #2 Or #3 (included With A&b) | 63-7 | 2-4 | 7.00 Each |
| 53-13 | #4 Frame Crossmember (welds On)(over Rear Axle) (LAST 1) | 63-7 | 1 | \$ 275.00 |
| 53-14X | #3 Frame Crossmember (welded)(2nd From Rear) | 63-7 | 1 | N/A |
| 53-14A | Seat Belt Cable Clamp (weld to crossmember #3) | 65-6 | 1 | 24.00 |
| 53-14B | Seat Belt Cable Clamp (weld to crossmember #3) | 66L-7 | 1 | 24.00 |
| 53-14C | Frame Brackets For Center Body Mounts (pr) | 63-4 | 1 PR | 39.00 Pair |
| 53-15 | Pinion Snubber Bracket (weld To Crossmember) | 63-7 | 1 | 69.00 |
| 53-16A-F | x Frame Rear Kick-up Assembly With Brackets- | | | N/A |
| 53-17A | Rear Axle Bumper Bracket (weld To Frame) | 63-4L | 2 | 49.00 Each |
| 53-17B | X Rear Axle Bumper Bracket (weld To Frame)- LH | 64L-7 | 1 | N/A |
| 53-17C | X Rear Axle Bumper Bracket (weld To Frame)- RH | 64L-7 | 1 | N/A |
| 53-18A | #4 Body Mount Bracket (weld To Frame) | 63 | 2 | 49.00 Each |
| 53-18B | #4 Body Mount Bracket (weld To Frame) | 64-7 | 2 | 49.00 Each |
| 53-19A | Motor Support Bracket- LH(weld To Frame) | 63-7 | 1 | 99.00 |
| 53-19B | Motor Support Bracket- RH(weld To Frame) | 63-7 | 1 | 99.00 |

ONLY HAVE THE ones with \$ - see online for current ... only a few RHs. Not getting more.

| | | | | |
|--------|---|------|---|------------|
| 53-20A | Repair Section In Front Of Rear Wheel(23")-LH | 63-4 | 1 | X |
| 53-20B | Repair Section In Front Of Rear Wheel(23")-RH ONLY IN STOCK | 63-4 | 1 | \$ 130.00 |
| 53-20C | XRepair Section In Front Of Rear Wheel(23")-LH | 65-7 | 1 | |
| 53-20D | XRepair Section In Front Of Rear Wheel(23")-RH | 65-7 | 1 | |
| 53-20E | x Repair Section In Front Of Rear Wheel(48")- LH X | 63-4 | 1 | X |
| 53-20F | Repair Section In Front Of Rear Wheel(48")- RH IN STOCK | 63-4 | 1 | 190.00 |
| 53-20G | Repair Section In Front Of Rear Wheel(48")- LH | 65-7 | 1 | S |
| 53-20H | Repair Section In Front Of Rear Wheel(48")- RH IN STOCK | 65-7 | 1 | 190.00 |
| 53-20J | Frame Internal Alignment Sleeve (6") | 63-7 | - | 25.00 Each |
| 53-21A | X Frame Crossmember With Exhaust Pipe Holes | 63 | 1 | N/A |
| 53-21B | X Frame Crossmember With Exhaust Pipe Holes | 64-6 | 1 | N/A |
| 53-21C | X Frame Crossmember With Exhaust Pipe Holes | 67 | 1 | N/A |
| 53-22A | #1 Body Mount Bracket On Frame LH | 63 | 1 | 59.00 |
| 53-22B | #1 Body Mount Bracket On Frame RH X no more | 63 | 1 | N/A |
| 53-22C | #1 Body Mount Bracket On Frame LH | 64-7 | 1 | 59.00 |
| 53-22D | #1 Body Mount Bracket On Frame RH | 64-7 | 1 | 59.00 |
| 53-23A | Body Mount #1 Bracket (riveted To Cowl) | 63-7 | 2 | 25.00 Each |
| 53-23B | Body Mount #1 Reinforcement (with Rivets) | 63-7 | 2 | 12.50 Each |

| | | | | |
|--------|---|------|------|------------|
| 53-24A | Front Frame Horn- Inside LH | 63-7 | 1 | 59.00 |
| 53-24B | Front Frame Horn- Inside RH | 63-7 | 1 | 59.00 |
| 53-24C | Front Frame Horn- Outside LH (11"long) | 63-7 | 1 | 59.00 |
| 53-24D | Front Frame Horn- Outside RH (11"long) | 63-7 | 1 | 59.00 |
| 53-25 | Front Crossmember Lower Repair Plate | 63-7 | 1 | 175.00 |
| 53-26 | Brackets For Rear Transmission Mount (pr) | 63-7 | 1 PR | 20.00 Pair |
| 53-27 | Underbody Reinforcement Near Fuel Tank (20 gal) | 64-7 | 1 | 12.00 |

(for #'s In () See That Sect # - Part #)