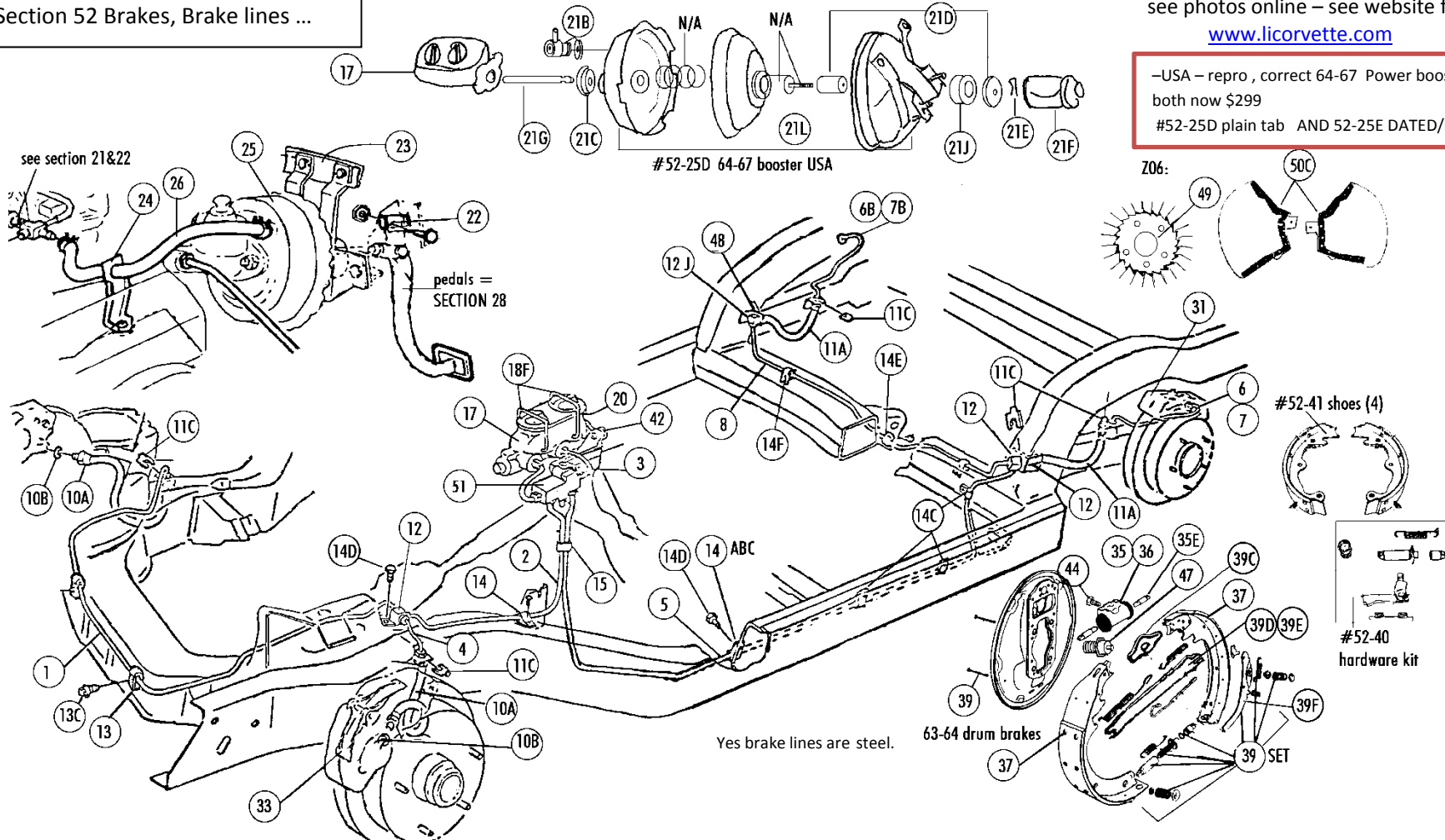


Section 52 Brakes, Brake lines ...

see photos online – see website for all current [www.licorvette.com](http://www.licorvette.com)

–USA – repro , correct 64-67 Power boosters both now \$299  
#52-25D plain tab AND 52-25E DATED/numbered



Section # 52 Brake • Brake Lines • Power Boosters • Master Cylinders • Shoes, Drums, Z06

Brake Lines - (all are steel /magnetic (not s.s.)

Sect-part#	Name	year	#need	car	price
52-01	Front Crossover Brake Line	63-7	1		\$ 29.00
52-02A	Master Cylinder Line (63-4 Std)(+65 Drum)(1/4")	63-4	1		22.00
52-02B	Master Cylinder Line (power brakes)(1/4")	63-4	1		22.00
52-02C	Master Cylinder Line (Z06) (3/16")	63-4	1		25.00
52-02D	Master Cylinder Line (standard 1/4")	65-6	1		22.00
52-02E	Master Cylinder Line (power 3/16")	65	1		22.00
52-02F	Master Cylinder Line (power 1/4")	66	1		22.00
52-02G	Master Cylinder Line (standard 1/4")	67	1		22.00
52-02H	Master Cylinder Line (power brake)(1/4")	67	1		22.00
52-03	Master Cylinder Distribution Block Lines	67	1	PR	27.00
52-04	Left Front Line (block To Rubber Line)	63-7	1		15.00
52-05A	Front To Rear Brake Line (standard & power)	63-4	1		44.00
52-05B	Front To Rear Brake Line Z06 (3/16")	63-4	1		44.00
52-05C	Front To Rear Brake Line (standard) (3/16")	65	1		44.00
52-05D	Front To Rear Brake Line (power 3/16")	65	1		44.00
52-05E	Front To Rear Brake Line (power 1/4")	66	1		44.00
52-05F	Front To Rear Brake Line (standard 1/4")	66	1		44.00
52-05G	Front To Rear Brake Line (standard 1/4")	67	1		44.00
52-05H	Front To Rear Brake Line (power)(1/4")	67	1		44.00
52-06A	Rear Drum Brake Line (left)	63-4	1		15.00
52-06B	Rear Drum Brake Line (right)	63-4	1		15.00
52-07A	Rear Caliper Brake Line- With Armor (LH)	65-6	1		15.00
52-07B	Rear Caliper Brake Line- With Armor (RH)	65-6	1		15.00

Brake lines are magnetic/steel

<Lines

Steel Line Sets >



Sect-part#	Name	year	#need	car	price
52-07B	Rear Caliper Brake Line- With Armor (RH)	65-6	1		\$ 15.00
52-07C	Rear Caliper Brake Line- No Armor (LH)	67	1		19.00
52-07D	Rear Caliper Brake Line- No Armor (RH)	67	1		19.00
52-08	Rear Crossover Brake Line	63-7	1		24.00
<b>&gt; Brake Line Sets- (all steel lines 1,2,3,4,5,6,7,8 as required per option/year)(not s.s.)</b>					
52-09A	Steel Brake Line Set/full Car (63-4 Std)(65drum)	63-4	1	SET	120.00
52-09B	Steel Brake Line Set/full Car (power Brake)(7 Pc)	63-4	1	SET	120.00
52-09C	Steel Brake Line Set/full Car (standard Disc)7pc	65	1	SET	120.00
52-09D	Steel Brake Line Set/full Car (power 3/16") (7 Pc)	65	1	SET	120.00
52-09E	Steel Brake Line Set/full Car (power 1/4") (7 Pc)	66	1	SET	120.00
52-09F	Steel Brake Line Set/full Car (66 STD)(7 Pc)	66	1	SET	120.00
52-09G	Steel Brake Line Set/full Car (67 STD)(8 Pc)	67	1	SET	130.00
52-09H	Steel Brake Line Set/full Car (67 PB) (8 Pc)	67	1	SET	130.00
52-09J	Steel Brake Line Set/full Car (Z06/J56) (7 Pc)	63-4	1	SET	135.00
52-09K	Steel Brake Line Set/full Car Set(65/drum Brake)	65E	1	SET	120.00
52-09L	Steel Brake Line Set/full Car (J56) (8pc)	66	1	SET	195.00
52-09M	Steel Brake Line Set/full Car (J56) (10 Pc)	67	1	SET	195.00
52-10A	67 Front Rubber Brake Hose (Hex End)	67	2		14.00
52-10B	Washer (for Front Brake Hose) (2)	63-7	1	PR	2.50
52-10C	63-66 Front Rubber Brake Line Hose (Round End)	63-6	2		24.00
52-11A	63-67 Rear Rubber Brake Hose	63-7	2		14.00
52-11C	Hose Clip & Block Clip (6 Pc Set) (black)	63-7	1	SET	6.00
52-11D	Brake Hose Bracket On Trailing Arm (weld On)(pr)	63-7	1	PR	12.50
52-11E	Front Hose Bracket On Frame (weld On)	63-7	1	PR	12.50

