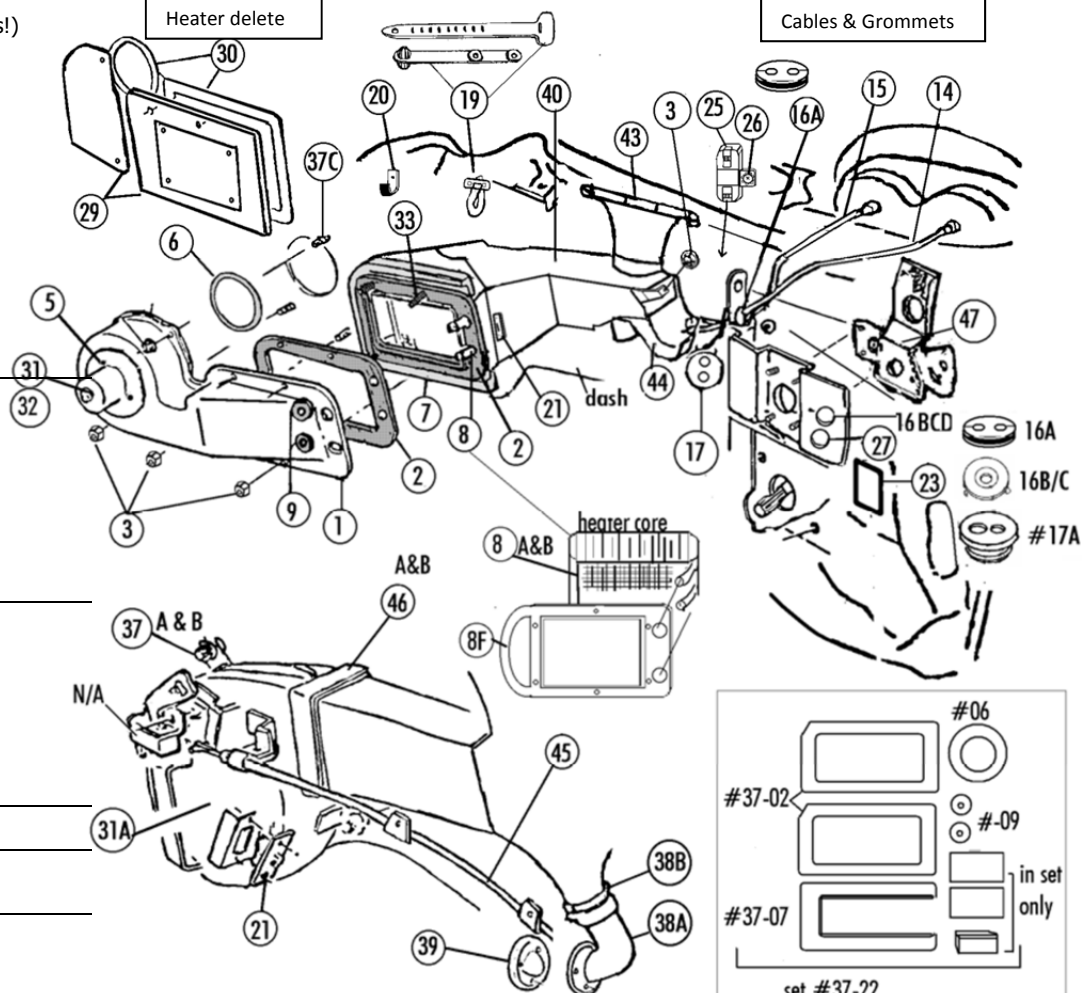


Section 37 Heater Cowl ,Heater Boxes, Core, Gaskets, Speedo & Tach Cables, Grommets, Plugs, Straps on Firewall

Sec-Part	Part Name	Year #NEED	car price
>Our #37-01 is correct; fiberglass with metal reinf plate/ring on back (not all fiberglass!)			
37-01A	Heater/blower Motor Box (63 no a/c)	63	1 \$ 315.00
37-01B	Heater/blower Motor Box (64-67 no a/c)(ribs)	64-7	1 315.00
37-01C	Metal Plate, Ring, Rivets For Heater Box (outer)	63-7	1 45.00 Each
37-02	Heater Box Black Gasket- Non A/C (1)(rectangle)	63-7	2 8.00 Each
37-03	Heater Box Nut Set (8 Pc) Non A/C	63-7	1 SET 4.50 Set
37-05	Fan Motor Bolts & Terminal Set (5+1)	63-7	1 SET 5.50 Set
37-06	Fan Gasket- Non A/C	63-7	1 7.00
37-07	xInt Heat Box Gray Gasket,no A/C x >in set only 37-22	63-7	1
37-22 ▶	Heater Box Gasket Set (#2,6,7,9 Plus 3 Interior Flap Gaskets & Rivets) (non A/C)	63-67	33.00 Set
37-08A	Heater Core- Non A/C - discontinued x	63-7	1 n/a
37-08B	Heater Core- Air Cond (no warr-manuf out of bus)	63-7	1 \$ 75.00
37-08C	Heater Core Strap (Air Cond Only)(1+1)	63-7	1 PR 20.00 Pair
37-08D	Heater Core Strap (NON Air Conditioned)(pr)	63-7	1 PR 20.00 Pair
37-08E	Bolts (4) For Heater Core Straps	63-7	1 SET 1.00 Set
37-08F	Mounting PLATE For Heater Core Non A/C	63-7	1 85.00
37-08G	Mounting Plate For Heater Core- WITH A/C	63-7	1 95.00
37-09	63 only Heater Tube Round Gaskets- Non A/C	63	1 PR 3.00 Pair
37-10A	Steering Column Bracket (see section 18 18-45a)	63-6	1
37-11	Steering Column Gasket	63-7	1 5.00
37-12	Steering Mast Clamp Bolt (see Section 18 (18-47)		
37-13	Steering Mast Support Screws (pr)	63-67	1 PR 1.50 Pair
37-14A	Speedometer Cable (3 Spd, 4 Spd, Auto)(gray)	63-4E	1 38.00
37-14B	Speedometer Cable (4 Spd)(black)	64L-7	1 29.00
37-14C	Speedometer Cable (3 Spd Or Auto)(black)	65-7	1 29.00
37-14D	Speedometer Cable (3,4 Spd Or Auto)(white 56") x	64	1 N/A
37-15A	Tachometer Cable (gray)	63	1 35.00
37-15B	Tachometer Cable (black)	64-7	1 25.00
37-15C	Speedo/tach Cable Lubricant Tube (6.5G Tube)	63-7	1 4.50
37-16A	Speed/tach Grommet- 4 Spd (2 Hole)	65-7	1 5.00
37-16B	Speed/tach Grommet-3 Spd&auto(1 Hole)	65-7	2 8.00 Each
37-16C	Speed/tach Grommet-3 Spd/4 Spd/auto(1 Hole)	63-4	2 8.00 Each
(see 55-52 For Grommet Installation Tool)			
37-16D	Plug (for Hole Above Clutch Pedal)(4 Spd)	65-7	1 1.00
37-16E	Tach/speedo Cable Grommet Installation Tool	63-4	1 7.00
37-16F	Hood Release Cable Grommet	63-7	1 0.75
37-17A	Oil Pressure Line Grommet (nonA/C)(2 Hole)	63-7	1 6.00
37-17B	Oil Pressure Line Grommet (with A/C)(4 Hole)	63-7	1 6.00
37-18	Windshield Wiper Motor Gasket	63-7	1 3.00
37-19A ▶	Complete Plastic Strap Set (8-2 Hole, 7-white T)	63-4	1 25.00 Set
37-19B ▶	Complete Plastic Strap Set (8-2 Hole, 7-black T)	65-7	1 25.00 Set
37-20A	Metal Wire J-clip (each)	63-7	16 1.50 Each
37-20B ▶	Cowl Wire J-clip Set (with Fasteners) (no A/C)	63-7	1 SET 16.00 Set
37-20C ▶	Cowl Wire J-clip Set (with Fasteners) A/C Cars	63-7	1 SET 25.00 Set
37-21A	Non A/C Heater & Rear Blower Resistor (screw on)	63L-7	1-2 25.00 Each
37-21A3	Non A/C Heater Resistor 63E= Clip On Type	63E	1 25.00
37-21B	Screw- Heater Box Resistor (2)	63L-7	1 PR 1.00 Pair
37-21C	Plug- Heater Box Resistor	63-7	1 5.00
37-22 ▶	Heater Box Gasket Set (#2,6,7,9 Plus 3 Interior Flap Gaskets & Rivets) (non A/C)	63-67	33.00 Set
37-23	Fuse Box Gasket	63-7	1 3.00
37-25A	Ballast Resistor (1.8ohm/blue stripe)63L-7all,ex	63L-7	1 29.00
excpt 63 E & FI (non TI)			
37-25B	Ballast Resistor (.3ohm/BLACK DOT)63E 250,300HP	63E,64	1 29.00 EACH
& 64 with #091 COIL?(64 365,375hp)			
37-26	Resistor Screw + Lw	63-7	1 1.00
37-27	Clutch Hole Plug (with Automatic)	63-7	1 1.00
37-29	Heater Delete Plates (1+1)	63-7	1 PR 200.00 Pair
37-30A	Gasket Set For Heater Delete Plates	63-7	1 SET 24.00 Set
37-30B	Bolts (TR) Set For Heater Delete Plates	63-7	1 SET 9.00 Set
37-31A	Heater Blower Motor (non A/C) (replacement)	64-7	1 49.00 Each
37-31B	Heater Blower Motor (A/C)(no Fan)	64-7	1 49.00
37-32A	Blower Fan - Metal	63-7	1 40.00
37-32B	Blower Fan Nut	64-7	1 0.50
37-32C	Blower Fan Retainer	63	1 0.50
37-33	Inner Heater Box Bolt Plate & Rivet Set (4 & 8)	63-7	1 SET 18.00 Set
37-34	A/C Inner Heater Box Bolt Plate & Rivet Set	63-7	1 SET 9.00 Set
Rear / Blower - 64-65 & rear blower cables ...			
37-35	Rear Vent Cardboard Cover (glue To Carpet)	64-5	1 18.00
37-36	Coupe Rear Vent Wire Screen	64-5	1 12.50
37-37A	Rear Blower Motor Mounting Screws & Grommets	64-5	1 SET 18.00 Set
37-37B	Rear Blower Motor Mounting Nut Plates & Rivets	64-5	1 SET 12.00 Set



37-37C	Front Blower Motor Stud Plates(3) & Rivets(6)	63-7	1 SET 18.00 Set
37-37D	A/C Blower Box Stud Plates & Rivets	63-7	1 SET 28.00 Set
37-38A	Rear Blower Drain Hose (replacement)	64-5	1 22.00
37-38B	Drain Hose Clamp	64-5	1 3.50
37-39A	Rear Blower Drain Metal Shield	64-5	1 15.00
37-39B	Drain Shield Screws & U-nuts (3 Each)	64-5	1 SET 2.50 Set
37-40M	METAL Kit for Inner Heater box (64-7 metal,levers,+ 64-7 lever asm,rods,flaps,rivets (see photo online) (no more fiberglass boxes)	64-7	1 375.00
37-41	Screw- Heater Cables To Heater Box (2)	63-7	1 PR 1.00 Pair
37-41B	Screws- Cables To A/C Heater Box (4)	63-7	1 SET 2.00 Set
37-42	Push Nuts, Vent & Heater Cables (5)	63-7	1 SET 1.00 Set
37-43A	X Defroster Duct (correct fiberglass)(with bkts) X	63-7	1 N/A
37-43B	3 Metal Brackets only for Defroster Duct	63-7	1 25.00 set
37-44A	Center Y Duct X not made	63	1 N/A
37-44B	Center Y Duct (plastic/replacement)	64-7	1 175.00
37-44C	Extension Outlet For Center Y Duct	63	1 N/A
37-44D	Screws For Mounting Heater Y Duct (2)	63-7	1 SET 1.00 Set
37-45A	Rear Blower Cable Assembly 64 No A/C	64	1 \$ 100.00
37-45AC	Rear Blower Cable Assembly 64 With A/C	64	1 100.00
37-45B	x Rear Blower Cable Assembly 65 No A/C	65	1 n/a
37-45BC	Rear Blower Cable Assembly 65 With A/C	65	1 100.00
37-46	Rear Blower Clamp With Seal & Screw	64-5	1 18.00
37-47	Reinforcement For Steering Column,brake,pb,mc	64-6	1 55.00