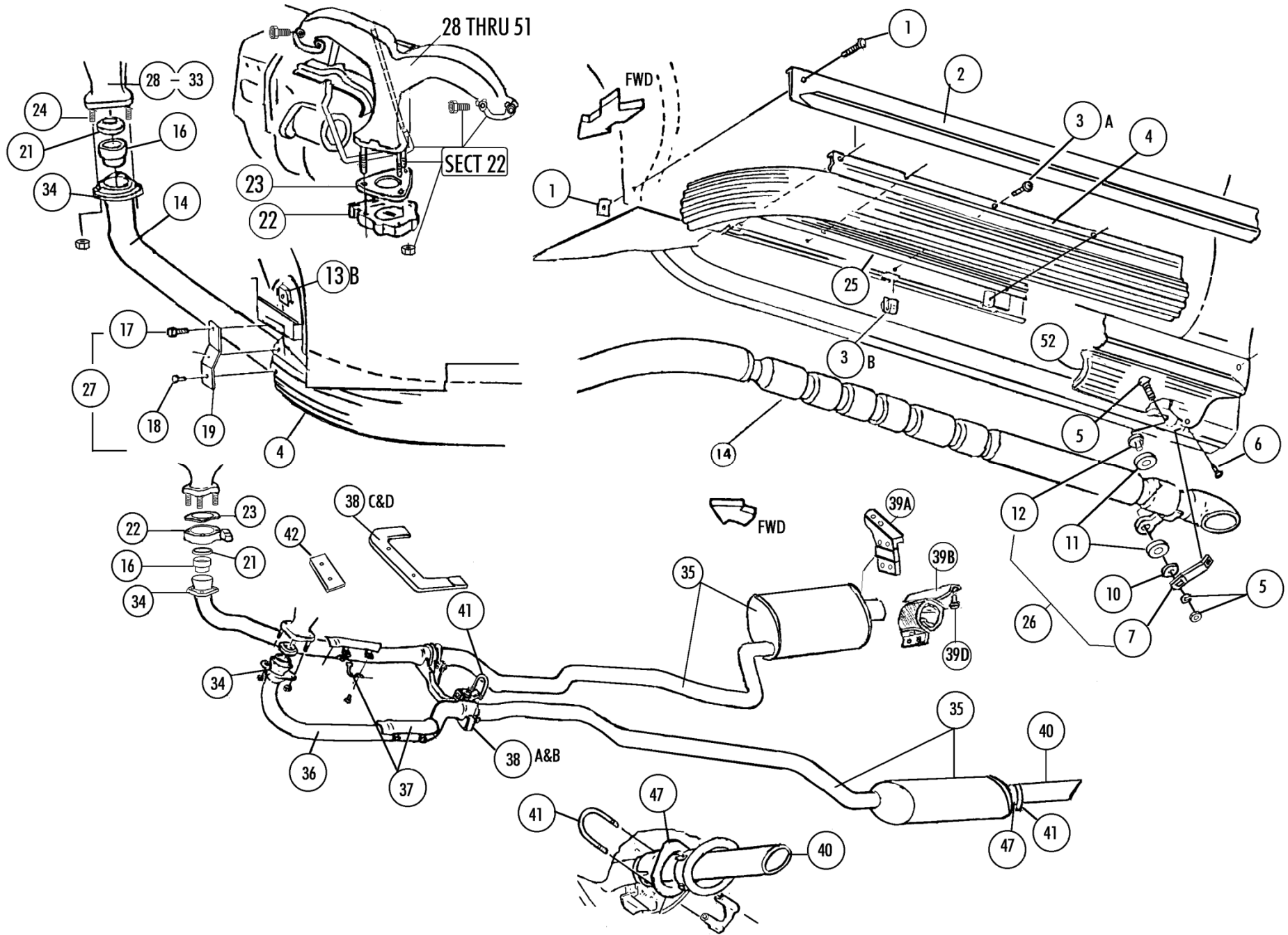


Section 33 Exhaust: Manifolds, Pipes, Center & Rear Hangers, Exhaust Tips And Side Pipes: Covers and all Hardware



Section 33 Exhaust: Manifolds, Pipes, Center & Rear Hangers, Exhaust Tips And Side Pipes: Covers and all Hardware

Sec-Part#	Name	Year	#	Need /Car	\$
33-01	Side Pipe Molding End Screw & Nut Set (4 Ea)(blk)	65-7	1	SET	\$ 3.50 Set
33-02	Side Pipe Upper Molding (pr)	65-7	1	PR	\$ 236.00 Pair
33-03A	Side Pipe Cover Screws (12 Pc) (zinc)	65-7	1	SET	6.00 Set
33-03B	Side Pipe Cover U-nuts (12 Pc)	65-7	1	SET	15.00 Set
33-04C	Side Pipe Covers (pair)	65-7	1	PR	\$ 1329.00 Pair
► Sets Include Upper Moldings (33-02), Side Pipe Covers (33-04C), Pipes (14), Extensions (16), Gaskets(21,23) Strips (25), Hardware (27b) /Pipes , (covers may Drop Ship Direct)					
33-04E	Side pipe cover 'SET' no pipes (33-02,33-04C,25,27b)	65-7	1	set	\$ 1675.00 SET
33-05	Side Pipe Rear Bolts, Lw, Nut (2 Ea) (p headmark)	65-7	1	SET	5.00 Set
33-06	Chrome screws, for Side Pipe Cover Rear (2)	65-7	1		2.00 Pair
33-07	Side Pipe Rear Cover Bracket	65-7	2		8.50 Each
33-10	Side Pipe Rear Large Flat Washers (2 Pc)	65-7	1	PR	4.75 Pair
33-11	Side Pipe Rear Insulator (rubber cushion)	65-7	4		5.00 Each
33-12	Side Pipe Rear Cushion Retainer	65-7	2		12.50 Each
33-13B	Side Pipe Cover U-nut (hex nut) (front)(pr)	65-7	1	PR	3.00 Pair
X 33-14 Side Pipes = Repros- repro Sidepipes (sstips)Original Baffles & GM Sound * NO MORE					
33-14AB	S/P Mufflers 327/2" 409SSPipes,Alum muffler,ss tip	65-7	1	PR	\$ 175.00 PAIR
33-14CD	S/P Mufflers 327/2-1/2"409SSPipes,alumuff,SSTip	65	1	PR	x
33-14EF	S/P Mufflers 396/427 2-1/2" 409SSPipes,Alum muff,SS Tip	65-7	1	PR	x
>or for local pickup only – we have a few sets 327 2-1/2" NOS/GM pipes –\$ call or email					
33-16A	Exhaust Extension (2")	63-7	2		9.00 Each
33-16B	Exhaust Extension (2-1/2")	63-7	2		9.00 Each
33-17	Side Pipe Front Bracket Hex Bolts (pr)	65-7	1	PR	1.00 Pair
33-18	Rivets (4 Pc) For Side Pipe Front Bracket	65-7	1	SET	1.00 Set
33-19A	Side Pipe Cover Front Bracket LH	65-7	1		7.00
33-19B	Side Pipe Cover Front Bracket RH	65-7	1		7.00
33-21A	Front Exhaust Pipe Packing (2")	63-7	2		3.00 Each
33-21B	Front Exhaust Pipe Packing (2-1/2")	63-7	2		3.00 Each
33-22A	Exhaust Heat Riser 327 (2")	63-7	1		67.00
33-22B	Exhaust Heat Riser (2-1/2")	63-7	1		79.00
33-22D	2-1/2" Exhaust Spacer 63-5 FI & 67-L88	63-7	1		50.00
33-23A	Heat Riser Gasket RH (2")	63-7	1		5.00
33-23B	Heat Riser Gasket RH (2-1/2")	63-7	1		5.00
22-28	Exhaust man lower Stud (ss) and nut(steel) Set (6+6)	63-7	1		28.00 set
> see section 22 for exhaust bolt sets.					
33-25	Side Pipe Cover Retainer Strip (1)	65-7	2		10.00 Each
33-26►	Set Of "Rear" Side Pipe Hardware (#5-#12)	65-7	1	SET	58.00 Set
33-27A►	Set Of Front Side Pipe Hardware (#13b+17+18+19)	65-7	1	SET	18.00 Set
33-27B►	Complete Sidepipe Hrdwre Kit (1,3A,3B,26,27A)	65-7	1	SET	90.00 Set
33-48	Exhaust Manifold FI 2-1/2" RH 3797902 x	63-5	FI		.discontinued
33-49	Exhaust Manifold FI 2-1/2" LH 3797942 X	63-65	FI		.discontinued
33-28	Exh Man LH 2" (250hp Or300hp Auto) 3749965A *NOS	63	1		125.00
NOS /> GM PART 3749965A 1987 DATE< new					
33-29	x Exh Man RH 2" (327/250hp Or Auto (3750556)	63-5	1		N/A
33-30	x Exh Man LH 2"3846559(250/300hp+auto)66-67 327all	64-7	1		N/A
33-31A	Exh Man RH 2" (64-5E 250AC,300 Auto+AC)(used) (3747038)	64-5E	1		160.00 Used
33-31A5	Exh Man RH 2" 65/250 AC or300 Auto+AC W Choke Tube (3747042)65L	64-5E	1		160.00
33-31AN	Exh Manifold A/C 2" RH 3747038 (NOS)	64-5E	1		160.00
33-31B	XExh Man RH 2" (66-7/327 All)(3747042) X SEE USED	66-7	1		N/A
33-31BU	Exh Man RH 2" (66-7/327 All)(3747042) orig/Used	66-7	1		175.00 Used
33-32	X Exh Man LH 2-1/2" (327/300-340hp 4spd)(3797901)	63	1		N/A
33-33	x Exh Man RH 2-1/2" (327/300-365hp 4spd No A/C) (3797902)	63-5	1		N/A
33-50	X Exhaust Manifold LH 2-1/2" (300-365hp 4spd All)	64-5	1		N/A
33-51	X Exhaust Manifold RH 2-1/2" (300-365hp A/C+4spd)	64-5	1		N/A
33-43	X Exhaust Manifold LH 427 (no Smog) X	66-7			DISCONTINUED
33-44 ^	X Exhaust Manifold RH 427 (no smog) X	66-7	1		DISCONTINUED
33-45	x Exhaust Manifold (396) LH X	65	1		N/A
33-46	x Exhaust Manifold (396) RH X	65	1		N/A

Exhaust manifold Supplier's foundry out of bus. Just have what is listed with \$ ^ ^ 9-2018

Sec-Part#	Name	Year	#	Need /Car	\$
33-34A	Exhaust Flange (2")	63-7	2		16.00 Each
33-34B	X Exh. Flange (2-1/2") (no S/P) (correct Thickness)	63-7	2		N /A

Exhaust Pipes and Mufflers (wedged Pipes = 409 ss (magnetic/aluminized pipe/GM Sound)

X >> all pipes drop ship direct shipping additional all GM sound/ 309 ss/magnetic,alumzd pipe.
X NOT SELLING REAR PIPES X10-2017 (ship per pair of rear pipes or set of 4 pipes = about \$150.)

X33-35A	Muffler & Rear Pipe 64-67 2-1/2" (all exc250all/300auto)	64-7	1	PR	
X33-35C	Muff & Rear Pipes 64-67 2" > 250 All Or 300 Auto (pr)	64-7	1	PR	
X33-35D	Muffler & Rear Pipe (2-1/2") (63late No Wells)(pr)	63L	1	PR	
X33-35E	Muffler & Rear Pipe (2-1/2") (63early With Wells)(pr)	63E	1	PR	
E = Early With Wells= "tool Box " Before 11,000					
X33-35F	Muffler & Rear Pipe (2") (pr)(63 Late no Wells)(pr)	63L	1	PR	
X33-35G	Muffler & Rear Pipe (2") (63 Early Wells)(pr)	63E	1	PR	

WE ARE selling off the exhaust pipes – we have the ones with pricing only.

... We have some GM /NOS front pipes – ie 33-36ABN ...

33-36AB	Front Exh Pipes 64-67 2" (250hp All Or 300hp/auto)	64-7	1		\$ 175.00 PAIR
33-36C	Front Exhaust Pipe LH (2-1/2") (64-65 327)	64-5	1		x
33-36D	Front Exhaust Pipe RH (2-1/2") (64-65 327)	64-5	1		x

33-36EN	NOS/ORIG GM Front Exhaust Pipe LH (2"x2-1/2") (66-67 327 NOT Auto)	66-7	1		113.00 NOS
33-36EF	XFront Exhaust Pipes PAIR (2"x2-1/2") (66-67 327 NOT Auto)	X	NO MORE		
33-36GH	Front Exhaust Pipes (2-1/2") (65-67 396/427)	65-7	1		175.00 PAIR

33-36J	Front Exhaust Pipe LH (2-1/2") (66-67 427 Auto)	66-7	1		90.00
33-36K	X Front Exhaust Pipe RH (2-1/2") (427 Auto) X	66-7	1		N/A
33-36M	X Front Exhaust Pipe LH (2-1/2") (63 2-1/2 327/300 4 spd /340hp	X 63			N/A
33-36N	X Front Exhaust Pipe RH (2-1/2") (63 2-1/2 327/300 4 spd /340hp	x 63			N/A
33-36PQ	Front Exh Pipes PAIR 63 2" (250hp All Or 300hp Auto)	63	1		\$ 175.00 PAIR

Heatshields and Exhaust Hangers:

33-37A	Exhaust Heatshields & Straps, 2" (250hp,300hp Auto)	63-4	1	set	\$ 59.00 set
33-37B	Exh Heatshield & straps, 2" (65/250hp, 65-7 327auto)	65-7	1	set	50.00 set
33-37C	Exh Heatshield & straps, 2-1/2" (300-360hp 4spd)	63	1	set	59.00 set
33-37D	Exh Heatshield & straps (2-1/2") (300-425hp 4spd)	64-5	1	SET	55.00 Set
33-37E	Exh Heatshield & straps, 2-1/2" (327 4spd, all 427)	66-7	1	SET	50.00 Set
33-37F	Strap & Screw Set For Exhaust Heatshields (4 Ea)	63-7	1	SET	17.00 Set
33-38A	Center Exhaust Hanger (2") (with Clamps)	63	1		145.00
33-38B	Center Exhaust Hanger (2-1/2") (with Clamps)	63	1		145.00
33-38C	Center Exhaust Hanger (2")	64-7	1		28.00
33-38D	Center Exhaust Hanger (2-1/2")	64-7	1		30.00
33-39A	63 Rear Muffler Hangers (pair)	63	1	PR	75.00 Pair
33-39B	64-7 Rear Muffler Hangers (pair)	64-7	1	PR	32.00 Pair
33-39C	63 Rear Muffler Hanger Bolts, Nuts And Washers (WB)	63	1	SET	9.50 Set
33-39D	64-7 Rear Muffler Hanger Bolts, Nuts And Washers(WB)	64-7	1	SET	6.50 Set
33-40	Tail Pipe Extensions(pr) (magnetic With Seam, no#)	63-7	1	PR	59.00 Pair
33-41A	Tail Pipe Extension Clamps (2") (pr) (3/8"nuts)	63-7	1	PR	12.00 Pair
33-41B	Center Exh Hanger Clamps (for 2" pipes)(pr)	64-7	1	PR	12.00 Pair
33-41C	Center Exhaust Hanger Clamps (2-1/2") (pr)	64-7	1	PR	15.00 Pair
33-42	Transmission Spacer With Side Pipes	65-7	1		5.00
33-47	63 Rear Exhaust Heat Shield (pr) * Fit Our Repro And Original)	1	PR		75.00 Pair
33-53	A.I.R. (smog) Hole Plug (8)	66-7	1	SET	4.00 Set
33-52	side pipe cover insulators – no more				x

N/A = NOT AVAILABLE – NO MORE – DISCONTINUED.

(x There are no gaskets between exhaust manifold and block.)

