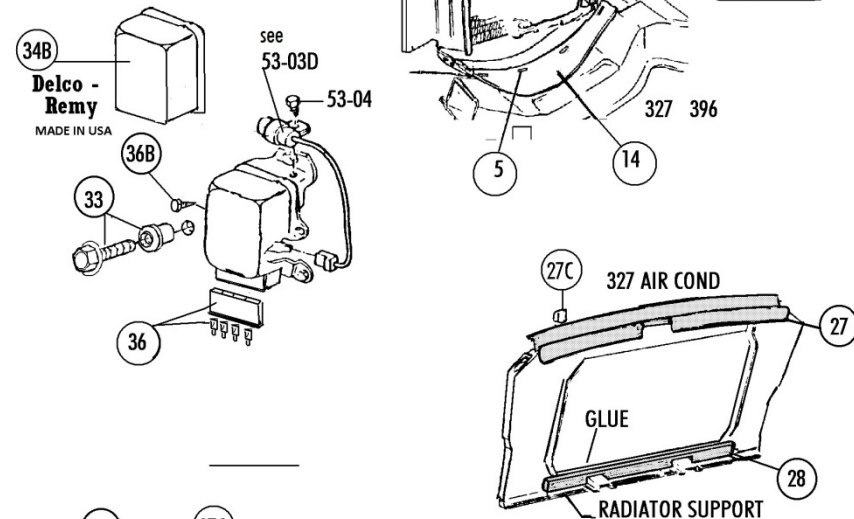
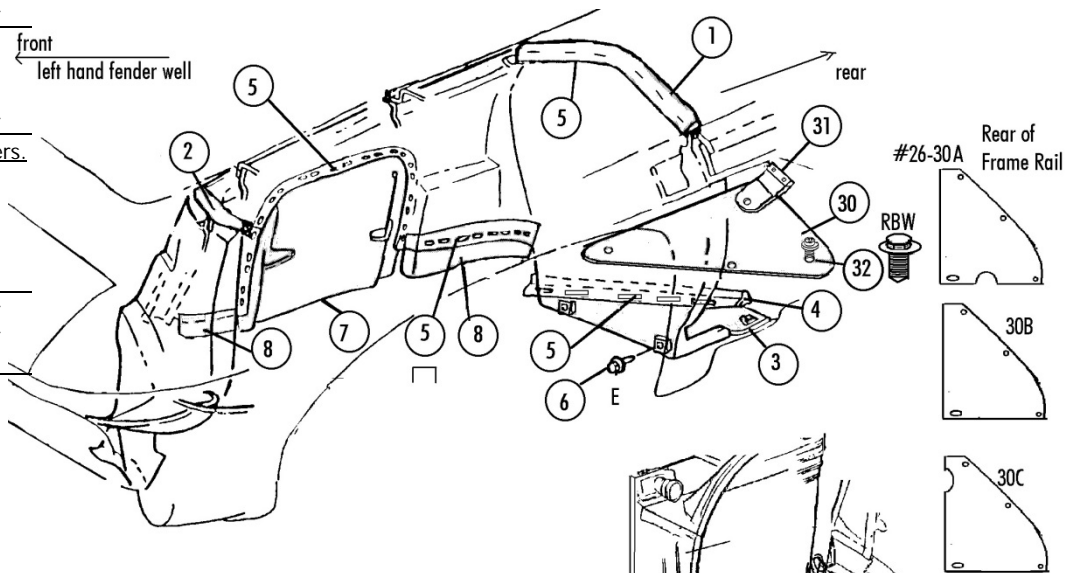


Section # 26 Fender Skirt Rubber Seals ● Metal Splash Shields ● Fender And Radiator Seals & Voltage Regulator & Mounts

Sec- Part#	Name	Year	#Need/Car	Price Inc
26-01	Fender Skirt Upper Seal (pr) (rear)	64-7	1 PR	\$ 9.00 Pair
26-02	Fender Skirt Upper Seal (pr) (front)	64-7	1 PR	9.00 Pair
26-03A	Metal Splash Shield LH (front)	63L-7	1	35.00
26-03A3	Splash Shield LH (front) - 63E (til April63?)	63E	1	45.00
26-03B	Metal Splash Shield RH (front)	63-7	1	35.00
26-04	Seals (ribbed) (2)(for splash shields #3) (non S/P)	63-7	1 PR	10.00 Pair
<u>>Correct style preformed round wire, magnetic staples, easy to install, drill, push thru, bend w pliers.</u>				
26-05A	Staples (magnetic S.S.)(set Of 10) (for 26-04)	63-7	1 SET	2.00 Set
26-05B	Staples (magnetic S.S.)(set Of 25)	63-7	1 SET	5.00 Set
26-05C	Staples (magnetic S.S.)(set Of 35)	63-7	1 SET	7.00 Set
26-05D	Staples (magnetic S.S.)(set Of 50)	63-7	1 SET	10.00 Set
26-06	Small Splash Shield Bolt Set (for #3)(8 Pc) (E)	63-7	1 SET	7.50 Set
26-07A	Inner Fender Dust Rubber Shields (pr)(on A-Arm)	63-6	1 PR	12.00 Pair
26-07B	Inner Fender Dust Rubber Shields (pr)(on A-Arm)	67	1 PR	12.00 Pair
26-08	Lower Inner Fender Skirt Seal Set (4 Pc)	63-7	1 SET	8.00 Set
26-10,11	Radiators and Shrouds see section 25			
26-14A	Radiator Lower Seal (327) (uses 5 Staples)	63-5	1	8.00
26-14B	Radiator Lower Seal (396 Only)	65	1	12.00
26-27A	Upper Radiator Seal & 4 Clips (327-A/C)	66-7	1	40.00
26-27B	Upper Radiator Seal & 6 Clips (427-A/C)	66-7	1	40.00
26-27C	Clip Only (6) For Upper Rad Seal 327&427	66-7	1	10.00
26-28	Lower Radiator/support Seal (327 A/C)	66-7	1	11.00
26-29	Rad. Side And Lower Seals (427 A/C)(3 Pc)	66-7	1 SET	13.00 Set
26-37	Upper Radiator Seal (396)	65	1	10.00
26-30A	Metal Splash Shield LH,Rear (All 327/396/427)	64-7	1	18.00
26-30B	Metal Splash Shield RH,rear (327)	64-7	1	18.00
26-30C	Metal Splash Shield RH,rear (396/427)	65-7	1	18.00
26-31A	Accel Pedal Bracket With Rivets	63	1	9.00
26-31B	Splash Shield & Accel Pedal Bracket LH	64-7	1	10.50
26-31C	Splash Shield Bracket RH	64-7	1	10.00
26-32	Bolt Set (8)(RBW) for Large Splash Shield#30	64-7	1 SET	9.00 Set
Voltage Regulator and Mounting				
26-33A	Volt Reg Mtg Bolts & Lw (on Rad Supt)(63,63-5A/C) (3)	63	1 SET	1.25 Set
26-33B	Voltage Regulator Mounts & Bolts(Z)(on Fender)	63L-7	1 SET	7.00 Set
26-34A	Voltage Regulator (replacement, NO WORDING) USA	63-7	1	\$ 67.00
26-34B	X Voltage Regulator COVER ONLY ' Delco Remy' wording	63-7	1	N/A
correct size 'DELCO REMY' wording for orig vreg. (will not fit on repl VReg)				
26-35	Radiator/shroud Seal (427 A/C)	66-7	1	5.00
26-36	Voltage Regulator Plug & Terminals (1+4)	63-7	1	4.00
26-36B	Voltage Regulator Ground Wire Screw	63-7	1	0.50



How Many Staples ?

Correct style, preformed round wire, magnetic staples,
easy to install, drill, push thru, bend with pliers.

(this are is usually oversprayed)

Staples Are Sold In Sets -See #26-05A-D

Of Staples Needed Per Item #'S Above

#26-01 Uses 10 Staples /Pr #26-02 Uses 10 Staples /Pr

#26-07 Uses 22 Staples/Pr #26-08 Uses 12 Staples/Set

#26-04 Uses 10 Staples/Pr #26-14 Uses 5 Staples

