

Section # 25 Radiators - Shrouds - Supports - Brackets - Hose Clamp Sets

PART#	NAME	YEAR #/CAR	PRICE	INC
25-01A	Radiator Shroud Bracket (327)	63-5	1	30.00
25-01B	Radiator Shroud Bracket (396/L88)	65,67	1	30.00
25-01C	Radiator Shroud Bracket (327)	66-7	1	25.00
25-01D	Radiator Shroud Bracket (427)	66-7	1	25.00
25-02	Rubber Cushion (327/396) For Top Rad Bracket	63-7	1	4.50
25-03A	Shroud Bracket Bolt Set (327) (WB Hdmk)	63-5	1 SET	2.75 Set
25-03B	Shroud Bracket Bolt/washer Set (327/427)(RSC/WB)	66-7	1 SET	6.00 Set
25-03C	Shroud Bracket Bolt & Washer Set (396,L88)RSC/WB	65,67	1 SET	4.00 Set
25-04A	Radiator Upper Bracket LH (427)	66-7	1	20.00
25-04B	Radiator Upper Bracket RH (427)	66-7	1	20.00
25-04C	Radiator Lower U-bracket & Reinf- 427 (weld On) (2+2)	66-7	1 SET	35.00 Set
25-05	Bracket Cushion 427 (1) (for bkt #4)	66-7	4	4.00 Each
25-06	427 Bracket Bolt (RSC) and washers (thick&thin+lw)4 ea(FOR #4)	66-7	1 SET	15.00 Set
25-06B	Tubes For 427 Radiator Support Upper Bolts (2)	66L-7	1 PR	8.00 Pair
25-06C	Thicker washer for 427 Rad bkts (4) (in set 25-6)	66-7	1	6.00 set
25-07	Lower Radiator Round Cushions (327/396) (pr)	63-7	1 PR	3.00 Pair
25-08	Radiator Cap (see Sect 24-02 Exp Tanks sect 24-01)			
25-09	Overflow Hose (327/396/427)(ribbed)	63-7	1	6.00
25-10	Overflow Hose Straps (427)(pr)	65-7	1 PR	2.50 Pair
25-11A	Radiator Draincock- Aluminum (327/396)	63-7	1	17.50
25-11B	Radiator Brass Draincock (427)(or Brass 327 Rad)	67L	1	4.50
25-11C	Aluminum Radiator Aluminum Drain Plug (327)	66	1	6.50
25-11D	Brass Drain Plug (427)	66-7E	1	3.50
25-12	Radiator Support Side Shim (1/16" Thick) (1)	63-7	-	0.75 Each
25-13A	Shroud to Supt Bolts & Lockwasher (6 Ea) (WB)	63-5	1 SET	4.50 Set
25-13B	Shroud to Supt Bolts & Lws (4 Ea) (WB)	66-7	1 SET	3.00 Set
25-13C	Shroud J-nuts (4 Pc) (J-nut/ w hex nut) repl	66-7	1 SET	3.50 Set
25-13D	Shroud J-nuts (396)(6 Pc) (J-nut/ w hex nut) repl	65	1 SET	5.25 Set
25-13DU	396 Shroud U-nuts/hex (396)(6 Pc) NOS/ORIG U-NUT W HEX	65	1 SET	20.00 Set
25-14A	Radiator Support Bolt & Washer Set (WB)(from Btm	63-7	1 SET	4.75 Set
25-14B	Radiator Support Side Bolts & Lw (4 Ea) (WB)	63-7	1 SET	3.00 Set
25-15A	Reinforcement rad supt/hood hinge (LH)(W Rivets)	63-7	1	19.00 each
25-15B	Reinforcement rad supt/hood hinge RH (W Rivets)	63-7	1	19.00 each
RAD CLAMPS ONLY > (give Date Or Serial # 1st And 3rd Quarter) (enter on checkout screen ... car info)				
25-16	Upper Radiator Hose Clamps(all)(dated)	63-7	1 PR	18.00 Pair
25-17	RAD HOSES (see Sect 21-01 AND 21-03)			
25-18A	Lower Radiator Hose Clamps (327/427)(dated)	63-7	1 PR	18.00 Pair
25-18B	Lower Radiator Hose Clamps (396)(dated)	65	1 PR	19.00 Pair

Radiator Shrouds:

25-19	Radiator Metal Shroud 63-65 327	63-5	1	\$ 400.00
25-20A	Radiator Fiberglass Shroud (66-67 327) (3 Pc Assembled)	66-7	1	440.00
25-20B	Radiator Fiberglass Shroud (65 396) (2 Pc Assembled)	65	1	440.00
25-20C	Radiator Fiberglass Shroud (66-67 427) (3 Pc Assembled)	66-7	1	440.00

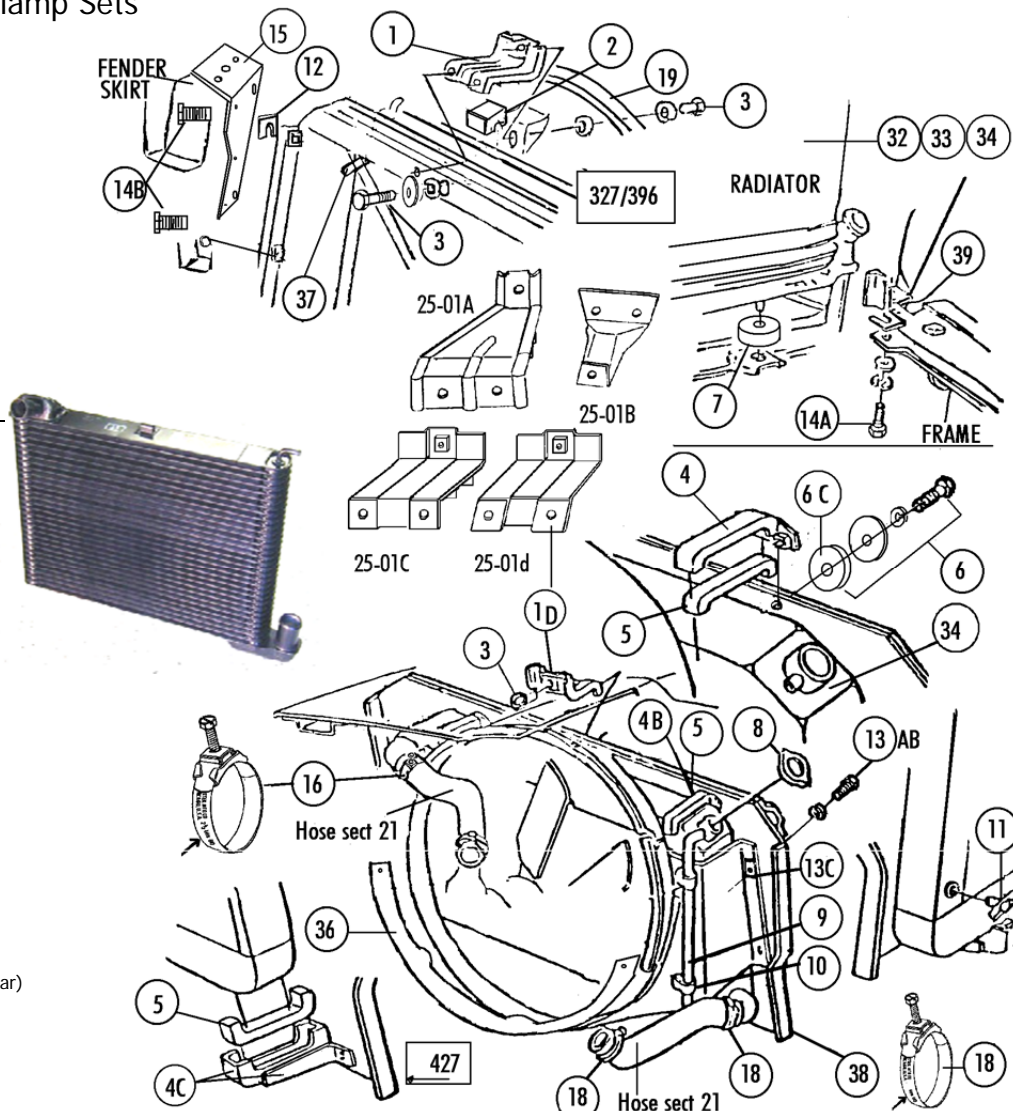
Hose Clamp Sets - Includes Applicable Clamps For Radiator, Heater, WP, Bypass & Tripower A/C Hose, exp tank hose(repl) (separate clamps listed in sections 21 & 24)

Dates Only On Up & Lower Rad Clamps: (Give Year Of Car, Vin #, Or Date Needed: 1st & 3rd Qtr Each Year)

25-21	Hose Clamp Set 327 (14 Pc) (loper no a/c)	63-7	1 SET	45.00 Set
25-22	Hose Clamp Set 327 lo With A/C (18 Pc)(thru 1/66	63-6E	1 SET	45.00 Set
25-23	Hose Clamp Set 327 Loper A/C (16 Pc)(aftr 1/66)	66-7	1 SET	45.00 Set
25-24	Hose Clamp Set 327 Hiper (16 Pc) (no a/c)	63-7	1 SET	45.00 Set
25-25	Clamp Set 327 Hiper & A/C (20 Pc)(thru 11/65)	63-6E	1 SET	49.00 Set
25-26	Clamp Set 327 Hiper & A/C (18 Pc)(after 11/65)	66L-7	1 SET	48.00 Set
25-27	Hose Clamp Set 427 (10 Pc) (not a/c, not tripower	66-7	1 SET	40.00 Set
25-28	Hose Clamp Set 427 With A/C (12 Pc) (not 3x2)	66-7	1 SET	40.00 Set
25-29	Hose Clamp Set 427 Tripower (12 Pc) (no a/c)	67	1 SET	48.00 Set
25-30	Clamp Set 427 Tripower With A/C (14 Pc)	67	1 SET	49.00 Set
25-31	Hose Clamp Set 396 (16 Pcs)	65	1 SET	54.00 Set

Radiators - Dewitt's Radiators - Correct Repros - ALL /spl order about 2-3 weeks + ship abt\$35

25-32A	Radiator (Aluminum Reproduction)(327)-DATED (+SHIP\$ 2-3WK\$)	63-7	1	\$ 999.00 DROPSHIP
25-34A6	Radiator (427 4 Spd)(correct Brass)(Dewitts)	66	1	\$ 999.00 DROPSHIP
25-34A7	Radiator (427 4 Spd)(Correct Brass)(Dewitts)	67	1	\$ 999.00 DROPSHIP
25-36A	Fan Shroud Extension (327 A/C)	66-7	1	\$ 110.00
25-36B	Fan Shroud Extension (427 A/C)	66-7	1	\$ 110.00
25-36C	A/C Shroud Extension U-nut & Bolt (WB) Set	66-7	1 SET	4.75 Set
25-37A	327 Rad Support Cross Rod Lower Straps (pr)	63-5	1 PR	19.00 Pair
25-37B	Radiator Support Cross Rods (327/no Ac)	63-5	1 PR	20.00 Pair
25-37C	Rad Support Cross Rods(65/396,66-7/327+427 No Ac	65-7	1 PR	20.00 Pair
25-41A	Metal Tag For 427 Radiator With Auto(MJ 3008566)	66-8	1	15.00
25-41B	Metal Tag For 427 4 Spd Brass Rad (MK 3008567)	66-8	1	15.00



Fans and fan clutches - see section 24 radiator hoses see section 21

Radiator Supports - USA - drop ship (2-3 days) USA REPROS (excpnt KN =nos/orig)

25-38A	Radiator Support (4 Spd Or Auto)(no A/C)	63	1	\$ 360.00
25-38C	Radiator Support 63 A/C	63	1	475.00
25-38D	Radiator Support 63 A/C , 4 Spd Or Auto	63	1	395.00
25-38F	Radiator Support 64-65 327 (4 Spd Or Auto)	64-5	1	360.00
25-38H	Radiator Support (64-65 A/C, 4 Spd Or Auto)	64-5	1	390.00
25-38KN	Radiator Support (64-5 FI) (NOS/ORIG GM) \$REDUCED >	64-5	1	300.00
25-38L	Radiator Support 65/396 (& 67 L88)	65+7	1	475.00
25-38R	Radiator Support (66-67 327 no A/C)	66-7	1	360.00
25-38S	Radiator Support (66-67 327 A/C) (\$limited to in stock/2018)	66-7	1	350.00*spl
25-38T	Radiator Support (66-67 427 no A/C)	66-7	1	360.00
25-38U	Radiator Support (427 A/C)	66-7	1	390.00
25-39	Radiator Support Large Square Mounting Nuts (pr)	63-7	1 PR	7.00 Pair
25-40A	Radiator Lower Support (327/396 Repair Piece) lower \$	63-5	1	85.00
25-40B	Radiator Lower Support (327 Repair Piece)	66-7	1	85.00
25-40C	Rad Lower Support (427 Repair Pc)(use With 25-04C)	66-7	1	60.00