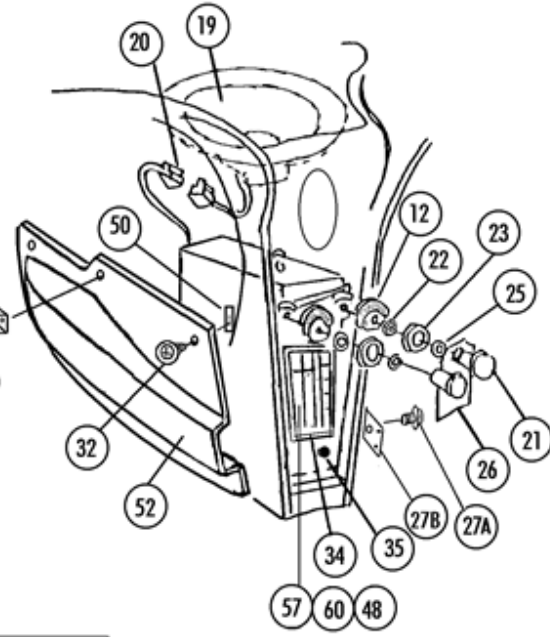
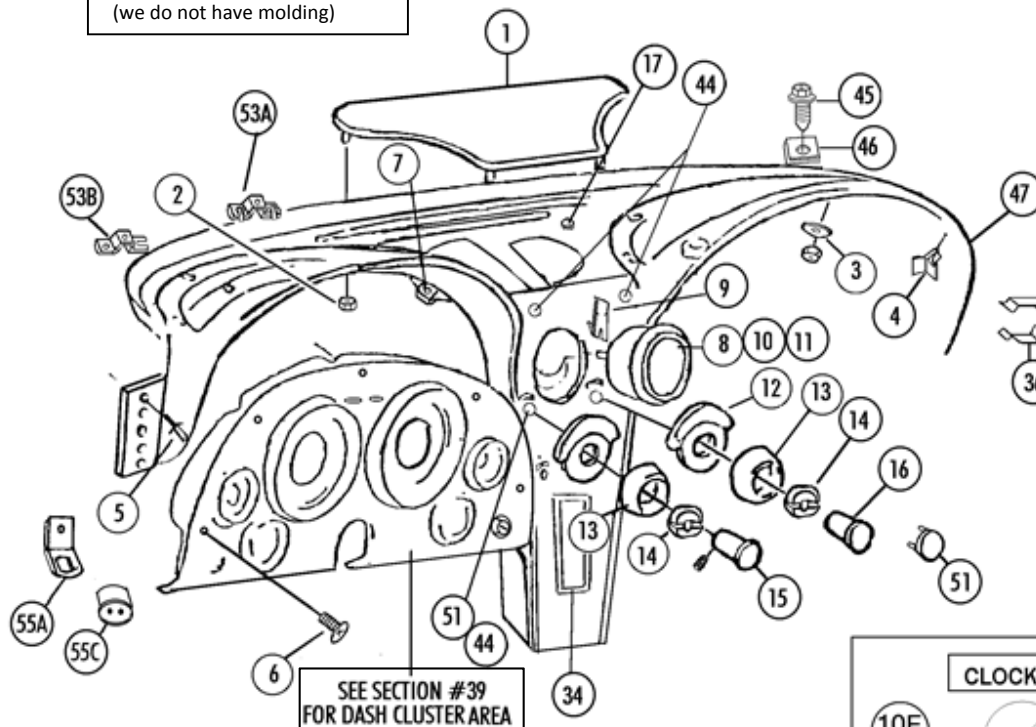


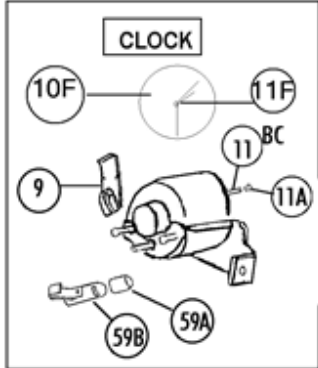
# Section 12 Dash: Clock & Radio Area; Kick Panel, Fresh Air Vents, & Cables (Defrost, Vent & Blower Cables)

See #44-06 Interior mldg screws  
(we do not have molding)

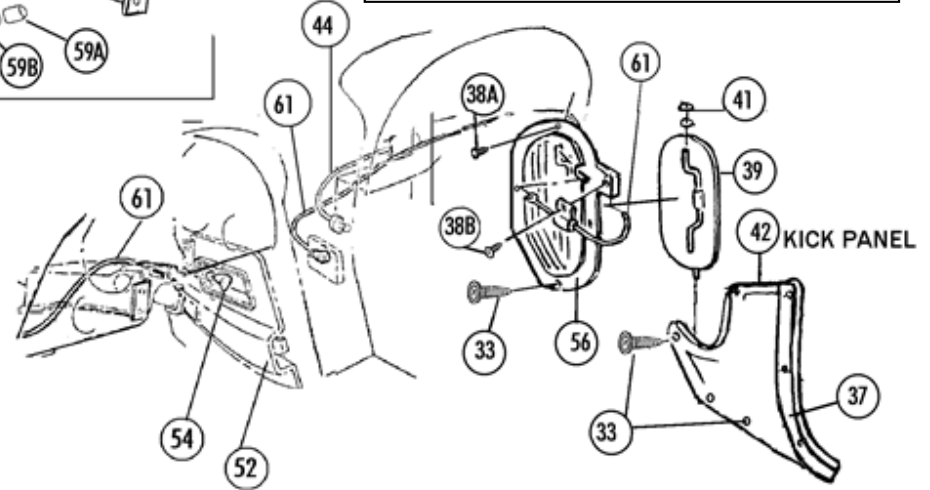
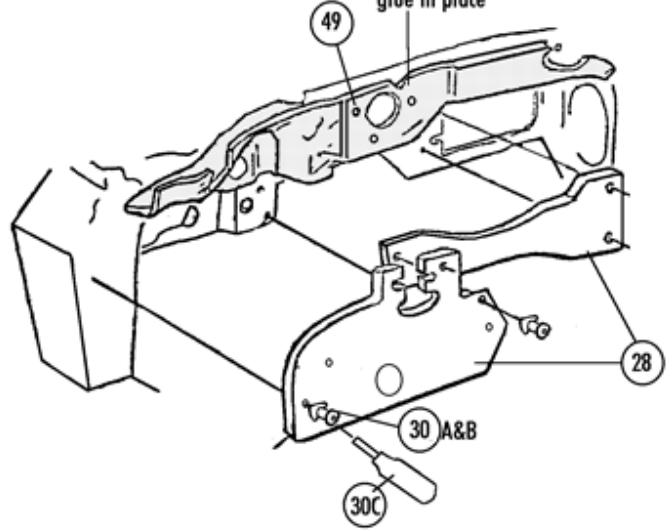


SEE SECTION #39  
FOR DASH CLUSTER AREA

glue in place



Vent Cables = #12-61  
Dash/Blower.Defrost.Temp cables 12-44



## Section 12 Dash: Dash Pads, Clock & Radio Area; Kick Panel, Fresh Air Vents, & Cables (Defrost, Vent & Blower Cables)

Sec-Part#	Name	Year	#need/Car	Price	Inc
12-01	<b>Speaker Grill</b>	63-7	1	\$ 72.00	Set
12-02	Screws & Nuts (3+10)for Speaker,grill & Def Duct	63-7	1	4.00	Set
12-03	Dash Pad Nuts & Washers (2 Pr)	63-6	1 SET	0.50	Set
12-04A	Dash Pad Clip	63-7	28	3.00	Each
12-04B	Dash Pad Clips (set Of 28)	63-7	1	55.00	Set
12-05	Dash Pad Rivets (black)(10 Pc)	63-7	1 SET	3.00	Set
12-06	Dash Cluster Screws (5 Pc) (black)	63-7	1 SET	5.75	Set
12-07	u-nut (for dash cluster (5) REPRO (square)	63-7	1	22.00	set
12-08C	65-67 <b>Clock</b> (Quartz/ticks) (repro/import)	65-7	1	\$ 300.00	Set
12-08F	Clock Terminal, Nut & Lw	63-7	1 SET	3.00	Set
12-08G	Clock Plug	63-7	1	2.00	
12-09	Clock Retainer Clip	63-7	2	4.00	Each
12-10A	Clock Lens	63-7	1	15.00	
12-10B	Clock Bezel (silver/chrome)	63-4	1	65.00	
12-10C	Clock Bezel (black/chrome)	65-7	1	50.00	
12-10F	Clock Face	65-7	1	50.00	
12-11A	Clock Knob	63-7	1	11.00	
12-11B	Clock Knob Stem (shaft)	63-4	1	11.50	
12-11C	Clock Knob Stem (shaft)	65-7	1	9.50	
12-11D	Clock Stem Spring	63-7	1	3.50	
12-11F	Clock Hands (3 Pc Set)	65-7	1 SET	50.00	
12-12A	<b>Dash Name Plates</b> (4 Pc) (metal) 1963 no a/c	63	1 SET	\$ 82.00	Set
12-12B	Dash Name Plates Air Cond. (6 Pc) (1963 metal)	63	1 SET	\$ 238.00	Set
12-12C	Dash Name Plates (4 Pc) 1964 no a/c	64	1 SET	12.00	Set
12-12D	Dash Name Plates Air Cond. (6 Pc) 64	64	1 SET	18.00	Set
12-12E	Dash Name Plates (4 Pc) 65-67 no a/c	65-7	1 SET	18.00	Set
12-12F	Dash Name Plates Air Cond. (6 Pc) 65-67	65-7	1 SET	24.00	Set
12-12G	Dash Name Plates (radio & tuning only)(63metal)	63	1 PR	37.00	Pair
12-13A	<b>Heater Bezels</b> (dull)(Reg & A/C)(pr)	64-5	1-2PR	26.00	Pair
12-13B	Heater Bezels (bright)(reg & A/C)(pr)	66-7	1-2PR	26.00	Pair
12-14	Heater Cable Nut	63-7	2-5	5.25	Each
12-15A	<b>Fan Knob</b> (Set Screw)	63-4	1	22.00	
12-15B	Fan Knob (set Screw)	65	1	22.00	
12-15C	Fan Knob (set Screw)	66	1	22.00	
12-15D	Fan Knob (set Screw)	67	1	22.00	
12-15S	Slotted Set Screws (4) For Dash Knobs	63-7	1-2	2.50	Set
12-16A	Knob- Defroster & A/C	63-4	1-3	22.00	Each
12-16B	Knob- Defroster & A/C	65	1-3	22.00	Each
12-16C	Knob- Defroster & A/C	66	1-3	22.00	Each
12-16D	Knob- Defroster & A/C	67	1-3	22.00	Each
12-17	Speaker/ Def Duct Forward Mounting Bolts (3)	63-7	1 SET	1.50	Set
12-19A	<b>Speaker-</b> (with Coil And Connector) (8 ohm)	63-7	1	36.00	
12-20A	Speaker Wire, Plug & Terminal Set	63-7	1	14.00	
12-20B	Speaker Plug & Terminal Set	63-7	1 SET	5.00	Set
12-21A	Radio Knob (set Screw Type)(with AM/FM Only)	63-4	2	22.00	Each
12-21B	Radio Knob	65	2	22.00	Each
12-21C	Radio Knob	66	2	24.00	Each
12-21D	Radio Knob	67	2	25.00	Each
12-21E	Radio Knob (push On)(AM Radio Only) Use 12-21AX	63	2	N/A	
12-22	Radio Knob Nuts (pr)	63-7	1 PR	2.00	Pair
12-23A	Radio Tuning Lever And Spacer Set (dull)	63-5	1 SET	20.00	Set
12-23B	Radio Tuning Lever And Spacer Set (bright)	66-7	1 SET	25.00	Set
12-25	Washer (radio Knob)(pr)	63-7	1 PR	0.50	Pair
12-26	Radio Instruction FM Card (see Sect 2)				
12-27A	Radio Mounting Screw	63-7	1	2.00	
12-27B	Radio Bracket & Rivets (rivet To dash)	63-7	1	8.00	
12-28A	<b>Insulation &amp; Plugs</b> (with Heater)(L & R)(preJan63	63E	1 SET	\$ 235.00	Set
12-28B	Insulation & Plugs (with Heater)(L & R)	63-4	1 SET	235.00	Set
12-28C	Insulation & Plugs (with Heater)(L & R)	65-6	1 SET	235.00	Set
12-28D	Insulation & Plugs (with Heater)(L & R)	67	1 SET	235.00	Set
12-28E	Insulation & Plugs ( <b>Heater Delete Section</b> ) 63-64 Heater Delete: Use 28e Or 28f With Above 28a-28d	63-4	1 SET	69.00	Set
12-28F	X Insulation & Plugs (Heater Delete Section)	65-7	1 SET	N/A	
12-30A	Insulation Retainer Rubber Plug (1)	63-7	7	2.25	Each
12-30B	<b>Insulation Retainer Rubber Plug</b> (set Of 7)	63-7	1 SET	12.00	Set
12-30C	Firewall Insulation Plug Installation <b>Tool</b>		1	5.00	
12-32	<b>Radio Side Panel Screws</b> (4 Pc)	63-7	1 SET	\$ 4.00	Set
12-33A	<b>Kick Panel Screw</b> Set (set Of 14)	63-4	1	15.00	Set
12-33B	Kick Panel Screws (set Of 12)	65-6	1 SET	14.00	Set
12-33C	Kick Panel Screw Set (set Of 12)	67	1 SET	13.00	Set
12-34	<b>Radio Bezel</b>	63-7	1	18.00	
12-35	Radio Bumper	63-7	1	0.75	
12-36	Flasher Bracket & Screw	65-7	1	11.00	
12-36B	x Plug For Directional Blinker- Replacement no more	65-7	1		discontin.
12-37A	<b>Kick Panel Metal Trim</b> (paint To Match)(pr)	63-4	1 PR	20.00	Pair
12-37B	Kick Panel Metal Trim (paint To Match)(pr)	64L-7	1 PR	20.00	Pair

Sec-Part#	Name	Year	#need/Car	Price	Inc
12-38A	Fresh Air Vent Grill Screw Set (6 Pc)	63-7	1 SET	\$ 2.00	Set
12-38B	Screw- Vent Cable To Vent Grill	63-7	1 PR	0.50	Pair
12-39	Vent Door Housing				N/A
12-39A	Seal kit with rivets for Fresh Air Vents	63-7	1 SET	14.00	Set
12-39B	Fresh Air Vent Door Complete (1)	63-6	2	49.00	Each
12-39C	Fresh Air Vent Door Complete	67	2	49.00	Each
12-41	Push Nuts, Vent & Heater Cables (5)	63-7	1 SET	1.00	Set
12-42A	<b>Kick Panel</b> Cardboard & Windlace (state yr/color)	63-4E	1 PR	42.00	Pair
12-42B	Kick Panel Cardboard & Windlace (state yr/color) a/b = Cardboard And Vinyl - No Carpet (64 late use 12-42A & make your own holes)	65-7	1 PR	42.00	Pair
<b>Dash , Vent , and Blower Cables &gt; more below see #12-61 ...</b>					
12-44A	<b>Blower Switch/heat Cable</b> No A/C (LH Under Clock)	63-7	1	\$ 125.00	
12-44B	Blower Switch/Vent Cable (A/C)(LH Under Clock)	63-7	1	\$ 125.00	
12-44A & 12-44B Are For No Rear Blower // (12-44A4 & 44B4 Are For 64-5 With Rear Blower)					
12-44A4	<b>Blower Switch/Cable 64-5 Coupe no a/c</b>	64-5C	1	\$ 125.00	
12-44B4	Blower Switch/vent Cable (64-5 Coupe With AC)	64-5C	1	\$ 125.00	
12-44C	Defroster Cable- No A/C (RH Knob)	63-7	1	62.00	
12-44D	Defroster Cable- A/C (lower RH Knob)	63-7	1	62.00	
12-44E	AIR/AC Cable- A/C (upper LH Knob)	63-7	1	69.00	
12-44F	Temp Cable- A/C (upper RH Knob)	63-7	1	69.00	
12-45	Dash Mounting Screw Set (10 Ea)	63-7	1 SET	20.00	Set
12-46	x Dash Mounting U-nuts (10 Pc) NOT AVAIL X	63-7	1 SET		N/A
12-47A	<b>Dash Pads</b> (pr)(give Year,# Hole Insert & Color)	63-7	1 PR	\$ 1140.00	Pair
12-47B	Center Dash Frame SKIN VINYL COVER	63-4	1	185.00	
12-48	Radio AM/FM Selector Bar	63-7	1	20.00	
12-49	Under Dash Sound Deadener (2 Pc)(Glue In Place)	64-7	1 SET	55.00	Set
12-50	Radio Side Panel U-nuts (4 Pc)	63-7	1 SET	1.40	Set
12-51	x Heater Delete Dash Plugs (pr) X not available.	63-7	1 PR		N/A
12-52A	<b>Radio Side Panel</b> (LH 63)	63	1	\$ 110.00	
12-52B	Radio Side Panel (LH 64 All,65-6 No Radio)	64-6	1	110.00	
12-52C	Radio Side Panel (LH 65-6 With Radio)	65-6	1	110.00	
12-52D	Radio Side Panel (LH 67 All)	67	1	110.00	
12-52E	Radio Side Panel (RH 63-6 All, 67 A/C) x	63-7	1		n/a
12-52F	Radio Side Panel (RH 67 No A/C)	67	1	110.00	
12-53A	<b>Interior Lower W/S Molding Retainers</b> (4 Pc)	63-7	1 SET	45.00	Set
12-53B	Interior Lower W/S Molding <b>End Retainers</b> (pr)	63-7	1 PR	10.00	Pair
44-06	Interior windshield molding Screws (18 Pc)	63-7	1 SET	5.00	Set
12-54	Vent Pull Knob On Radio Side Panel	67	1or2	20.00	Each
12-55A	<b>Courtesy Light Bracket &amp; Screw</b>	63-7	2or3	9.00	Each
12-55B	Courtesy Light Bulb	63-7	3	1.00	Each
12-55C	Courtesy Light Socket (with terminals)	63-7	3	15.00	Each
12-55D	Courtesy Light Bracket Screws (3)	63-7	1 SET	2.00	Set
12-55E	Courtesy Light Bracket- A/C (LH)	63-7	1	9.00	
12-55F	Courtesy Light Bracket- A/C (RH)	63-7	1	9.00	
12-56A	<b>Vent Grill</b> (LH)	63-7	1	50.00	
12-56B	Vent Grill (RH) (NON A/C)	63-7	1	50.00	
12-56C	Vent Grill- With Air Conditioning (RH)	63-7	1	95.00	
12-58A	<b>Clip-</b> Hood Release Cable/Vent Cable (non A/C)	63-6	1	6.00	
12-58B	Clip- Vent Cable/heater Control Cable (non A/C)	63-6	1	5.00	
12-59A	<b>GREEN COVER</b> For Heater-A/C Light Socket Holder	65-7	1or3	5.00	Each
12-59B	<b>Heater Bulb Metal Socket Holder</b>	64-7	1	26.00	
12-59C	A/C Bulb Metal Socket Holder (3)	64-7	1 SET	60.00	Set
12-57B	<b>Radio Lens-</b> AM/FM push Button	63-4	1	28.00	
12-57C	Radio Lens- AM/FM-push Button	65	1	28.00	
12-57D	Radio Lens- AM/FM-push Button 66-67 x	66-7	1		x n/a
12-60B	<b>Radio Face Kit (AM-FM)</b> (bezel,lens,buttons,bar)	63L-4	1 SET	\$145.00	Set
12-60C	Radio Face Kit AM/FM (bezel,lens,pushbuttons,slidebar)	65	1 SET	145.00	Set
12-60D	Radio Face Kit AM/FM (bezel,lens,pushbuttons,slidebar) (use Your Old Lens Retainers & Backer)	66-7	1 SET	145.00	Set
12-61A	<b>Vent Cable Asm</b> (1 pr) (63 ALL, 64 non A/C)	63-4	1 PR	\$ 145.00	Pair
12-61B	Vent Cable Asm (pair) (65-66 No A/C)	65-6	1 PR	145.00	Pair
12-61C	Vent Cable Asm For LH Vent 64 With A/C	64	1	80.00	
12-61D	Vent Cable Asm For LH Vent 65-6 With A/C	65-6	1	80.00	
12-61EL	Vent Cable Asm (no Knob) LH (repl)	67	1	45.00	Each
12-61ER	Vent Cable Asm (no Knob) RH (repl)	67	1	45.00	Each
12-63	Plastic Knob For Vent Cable	65-6	2	9.50	Each
12-62A	<b>Rear Blower Motor Cable</b> Asm (64 No A/C)	64	1	\$ 100.00	
12-62B	x Rear Blower Motor Cable Asm 64 With A/C	64	1		n/a
12-62C	x Rear Blower Motor Cable Asm (65 No A/C)	65	1		n/a
12-62D	Rear Blower Motor Cable Asm (65 With A/C)	65	1	100.00	
12-64A	Screws (2) For Vent Cable To Dash (zinc)	63-4	1 PR	1.00	Pair
12-64B	Screws (2) Vent Cable To Dash (black)	65-6	1 PR	1.00	Pair

**Flashers see Section 43 -19 Capacitors see section 53 Gauges/cluster see section 39**