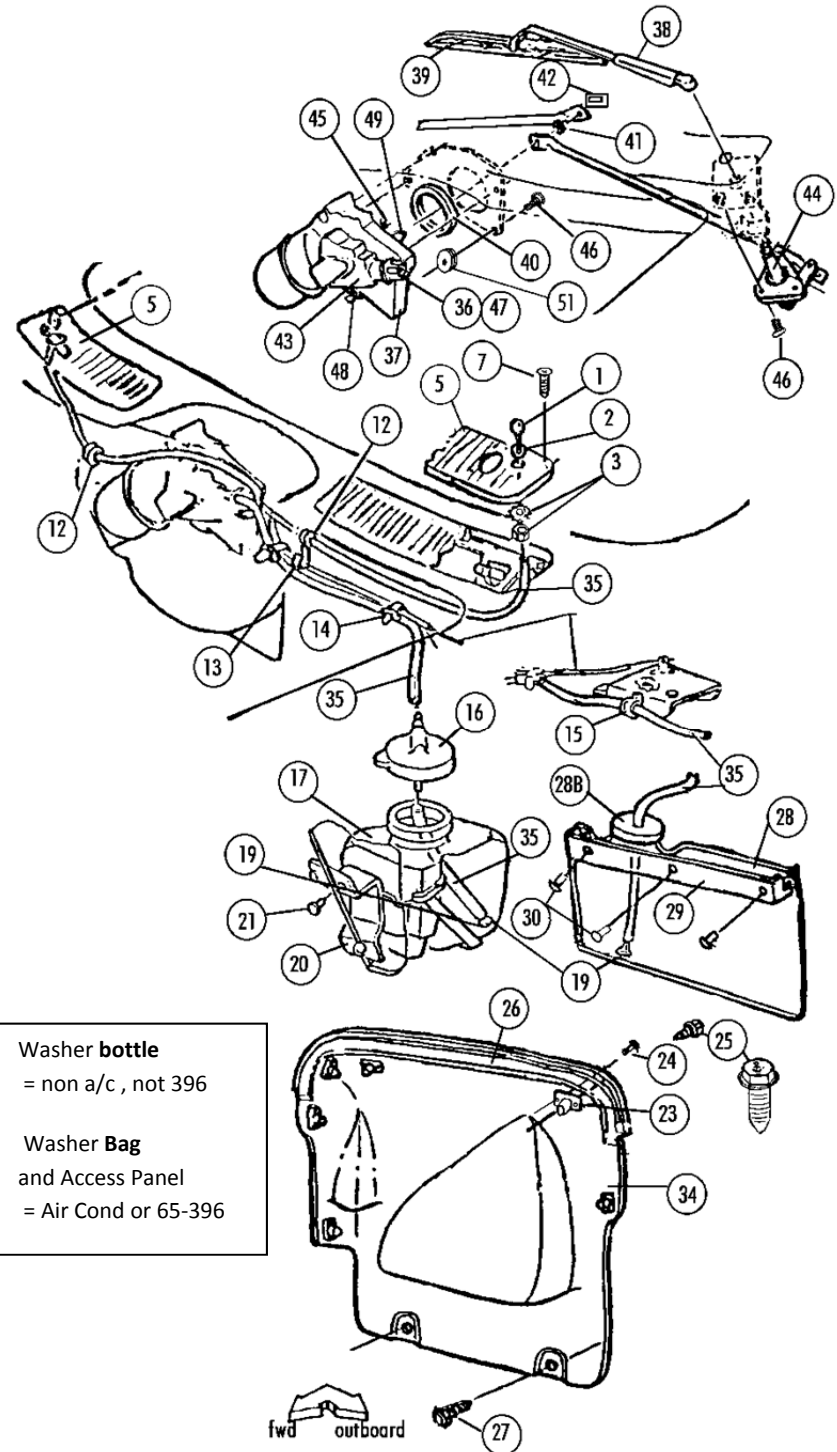


Section #08 Windshield Washer & Wiper ● A/C & 396 Battery Access Panel

Sec-Part#	Name	Year	#Need/Car	Price	Inc
08-01	Washer Nozzle Set (includes 2,3)(pr) (repl/fixed)	63-7	1 SET	\$ 25.00	Set
08-01A	Washer Nozzle Set (adjustable/orig Style)(1,2,3)	63-7	1 SET	66.00	Set
08-02	Washer Nozzle Rubber Washers (1 Pr)	63-7	1 PR	1.75	Pair
08-03	Washer Nozzle Nuts & Lock Washers (2 Ea)	63-7	1 SET	1.00	Set
08-05	Windshield Washer Metal Grills (new)PAIR (L+R)	63-7	1 PR	160.00	PAIR
08-07	Screws & U-nuts (8 Pr) For Washer Grill	63-7	1 SET	5.50	Set
08-12	Washer Hose Grommets (1 Pr)	63-7	1 PR	1.75	Pair
08-13	Wire J-clip	63-7	1-15	1.50	Each
08-14	> Wire Straps (see Sect 24-26) >> see section 24 for strap sets & 37 for Jclip sets.				
08-15	Washer Hose Clip (hose To Catch)(after 1/66)	66L-7	1	1.00	
08-16	Washer Bottle Cap (correct no writing)	63-7	1	5.00	
08-17	Washer Bottle	63-7	1	14.00	
08-19A	Washer Filter (replacement)	63-7	1	4.75	
08-19B	Filter With Brass Screen (like Original)	63-7	1	13.50	
08-20	Washer Bracket- Non Air Cond	63-7	1	25.00	
08-21	Washer Bracket Rivets (3 Pc)	63-7	1 SET	0.75	Set
08-31▶	T-nut,rivet,bolt Set (23 & 25) (A/C OR 396 panel hardware)	63-7	1	22.00	Set
08-23	Panel T-nuts & Rivets (6 & 12) For Access Panel A/C or 396	63-7	1 SET	12.00	Set
08-24	Rivets (12 Pc) For T-nut onAccess Panel(A/C,396)	63-7	1 SET	3.00	Set
08-25	Access Panel Bolts (6)(Anchor Hdmk)(A/C,396)	63-7	1 SET	12.00	Set
08-26	Weatherstrip For Access Panel A/C,396	63-7	1	3.25	
08-27	Lower Mounting Bolts (2) For Access Panel	63-7	1 PR	1.50	Pair
08-28A	Washer Bag And Cap (Air Cond & 396)	63-6	1	63.00	
08-28B	Washer Cap Only (for Air Cond Bag)	63-7	1	5.75	
08-28C	Washer Bag And Cap (Air Cond Cars)	67	1	63.00	
08-29	Bracket With Rivets, FOR A/C washer bag	63-7	1	12.00	
08-30	Rivets For Air Cond Washer Bracket (3 Pc)	63-7	1 SET	0.75	Set
08-31▶	T-nut,rivet,bolt Set (23 & 25) (A/C OR 396 panel hardware)	63-7	1	24.00	Set
08-34	A/C,396 Battery Access Panel & Hardware	63-7	1	\$ 169.00	Set
08-35A	Washer Hose Set- Non Air Cond (4 Pc) (ribbed)	63-7	1 SET	16.00	Set
08-35B	Washer Hose Set- Air Cond Or 396 (3 Pc)(ribbed)	63-7	1 SET	16.00	Set
08-36B	Washer Repair Kit (exterior)(white-original)	63-7	1	10.00	
08-47	Washer Pump Internal Repair Kit (diaphragm)	63-7	1	19.00	
08-37/43	X Wiper Motor (motor & Pump) - no	63-7	1	N/A	
08-38A	x 63-65 Wiper Arms (shiny)(Trico With Side Screw)(pr) x	63-5	1 PR	N/A	
08-38B	x 66-67 Wiper Arms (dull)(Trico With Side Screw)(pr) x	66-7	1 PR	N/A	
08-38E >	Windshield Wiper Arm (pr)(Dull SS Replacement)	63-7	1 PR	85.00	Pair
	(replacement/Rivet, not side screw) 66-67 shape/dull will fit all 63-67)				
08-39B	Wiper Blades (Dull SS)(Trico)(pr) (no ribs)	66-7	1 PR	65.00	Pair
	Tech tip:63-65 = polished blades, blade rubber with nibs; 66-67 = Dull blade rubber with Ribs				
08-39C	63-65 Wiper Blade Rubber Inserts with Dots (15"SS) PR	63-5	1 PR	44.00	Pair
08-39E	66-67 Wiper Blade Rubber Inserts With Ribs (15" S.S.)(PR)	66-7	1 PR	44.00	pair
08-40	Wiper Motor Gasket	63-7	1	3.00	
08-41	Wiper Push Rod Rubber Spacer	63-7	1	3.00	
08-42	Wiper Push Rod Retainer	63-7	1	2.00	
08-43C	Fiber Cover For W/w Pump Plug Area	63-7	1	4.00	
08-44	Wiper Arm Post Black Covers (pr)	66-7	1 PR	11.00	Pair
08-45	Rubber Seal for Wiper Motor rear drive/transm.	63-7	1	7.00	
08-46	Wiper Motor & Pivot Arm Mounting Bolts(10 Pc)	63-7	1 SET	5.00	Set
08-36B	Washer Repair Kit (exterior)(white-original)	63-7	1	9.50	
08-47	Washer Pump Internal Repair Kit (diaphragm)	63-7	1	19.00	
08-48	Ground Terminal On Wiper Motor	63-7	1	3.00	
08-49	Wiper Motor Rear Crank Lever	63-7	1	15.00	
08-50	Wiper Motor Lever Retainer Flangenut	63-7	1	0.75	
08-51	Mounting Grommets For Wiper Motor (4)	63-7	1 SET	29.00	Set



Washer bottle
= non a/c , not 396

Washer Bag
and Access Panel
= Air Cond or 65-396