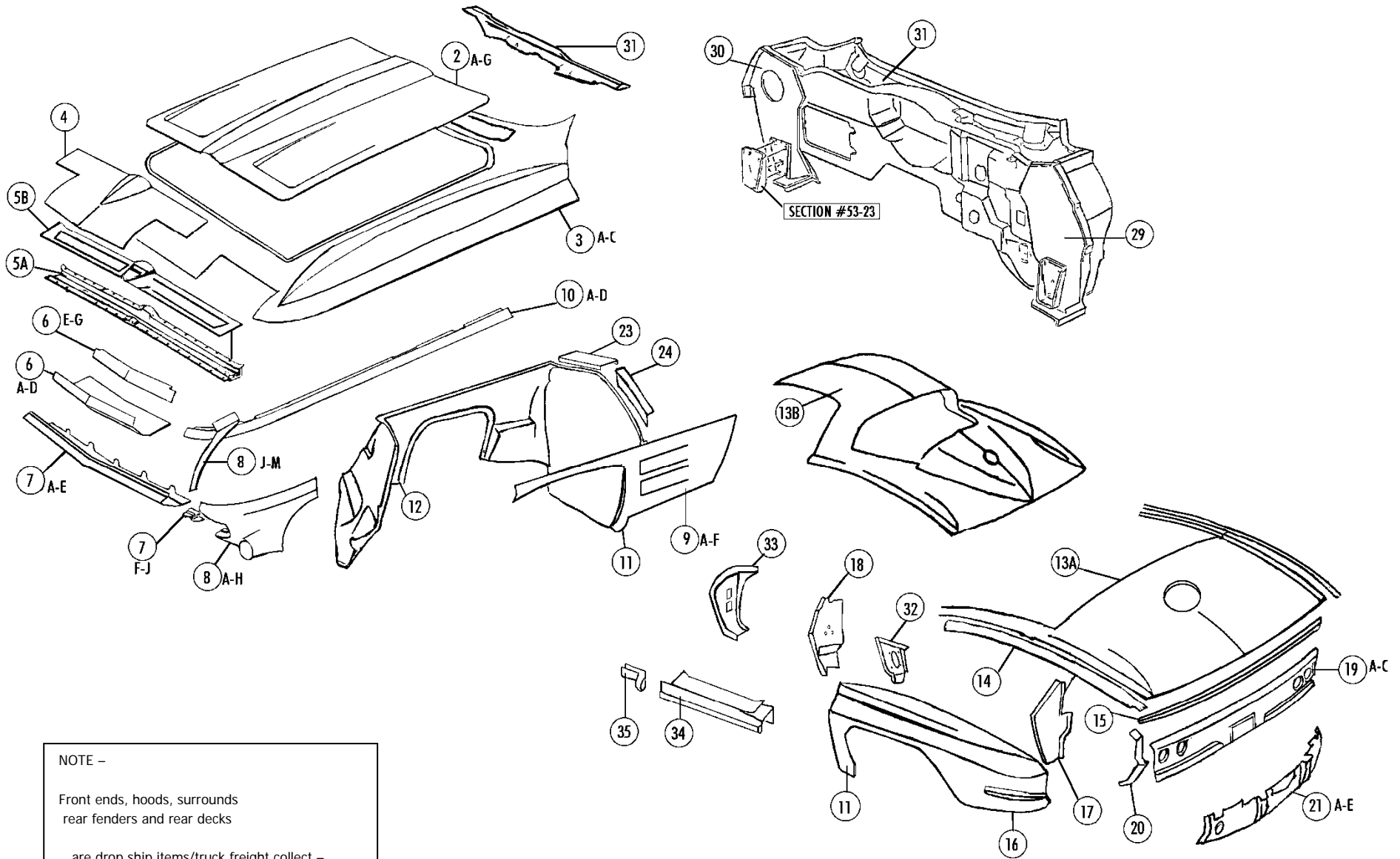


Section #54 Fiberglass, Hoods, Fenders, Body Panels – Fiberglass - Rivets



NOTE –
 Front ends, hoods, surrounds
 rear fenders and rear decks

 are drop ship items/truck freight collect –
 currently 2-3 month lead time!

Fiberglass* Is Like Original –
 “Match Molded” Smooth Front & Back Except For Complete Front End
 Assemblies And Where Noted “Not Mm”

Section #54 Fiberglass, Hoods, Fenders, Body Panels – Fiberglass – Rivets

Sec-Part#	Name	Year	#/Car	Price	Inc
Front Ends, Hoods, Surrounds, Truck Frt Collect *2-3 Months +\$60 Crating:					
Ships Truck, Freight Collect 3 Month Lead Time (54-01D,E,F Includes Skirts)(Give Year On Ckout)					
54-01D	Front End Assembled With Bonding Strips (mm)	63-4	1	\$ 5175.00	
54-01E	Front End Assembled With Bonding Strips (mm)	63-4	1	5195.00	
54-01F	Front End Assembled With Bonding Strips (mm)	65-6	1	5195.00	
54-01Y	(54-01d,e,f Includes Skirts)(give Year)	67	1	5195.00	
* All Hoods Are Same As Original Top & Bottom *					
54-02A	Hood (specify # Of Wedges- Not Included)	63	1	1410.00	
54-02B	Hood	64	1	1410.00	
54-02C	Hood (327)	65	1	1410.00	
54-02D	Hood (396)	65	1	1410.00	
54-02E	Hood (427)	66	1	1410.00	
54-02F	Hood (327)	66-7	1	1410.00	
54-02G	Hood (427)	67	1	1410.00	
54-03A	Hood Surround (including #04)	63-4	1	1245.00	
54-03B	Hood Surround (including #04)	65-6	1	1245.00	
54-03C	Hood Surround (including #04)	67	1	1245.00	
54-04A	Front Upper Nose Repair Panel	63-4	1	242.00	
54-04B	Front Upper Nose Repair Panel	65-7	1	242.00	
54-05A	Front Panel Metal Reinforcement	63-7	1	105.00	
54-05B	Front Panel Header Reinforcement Bonding Strip	63-7	1	88.00	
54-05C	Front Reinforcement Bonding Strip Rivets (22 Pc)	63-7	1 SET	5.50	SET
54-05D	Front Reinforcement With Bonding Strip Riveted	63-7	1	185.00	
54-06A	Upper Grill Panel	63-4	1	115.00	
54-06C	Upper Grill Panel	65-6	1	115.00	
54-06D	Upper Grill Panel	67	1	115.00	
54-06E	Upper Grill Panel Bonding Strip	63-4	1	61.00	
54-06F	Upper Grill Panel Bonding Strip	65-6	1	61.00	
54-06G	Upper Grill Panel Bonding Strip	67	1	61.00	
54-07A	Lower Grill Panel (valance)	63-4	1	160.00	
54-07D	Lower Grill Panel (valance)	65-6	1	160.00	
54-07E	Lower Grill Panel (valance)	67	1	160.00	
54-07F	Lower Grill Panel Bonding Strip- Lh	63-4	1	40.00	
54-07G	Lower Grill Panel Bonding Strip- Rh	63-4	1	40.00	
54-07H	Lower Grill Panel Bonding Strip- Lh	65-7	1	40.00	
54-07J	Lower Grill Panel Bonding Strip- Rh	65-7	1	40.00	
54-08A	Parking Light Panel- Lh	63-4	1	185.00	
54-08B	Parking Light Panel- Rh	63-4	1	185.00	
54-08E	Parking Light Panel- Lh	65-6	1	185.00	
54-08F	Parking Light Panel- Rh	65-6	1	185.00	
54-08G	Parking Light Panel- Lh	67	1	185.00	
54-08H	Parking Light Panel- Rh	67	1	185.00	
54-08J	Parking Light Panel Bonding Strip (lip)- Lh	63-4	1	73.00	
54-08K	Parking Light Panel Bonding Strip (lip)- Rh	63-4	1	73.00	
54-08L	Parking Light Panel Bonding Strip (lip)- Lh	65-6	1	73.00	
54-08M	Parking Light Panel Bonding Strip (lip)- Rh	65-6	1	73.00	
54-08N	Parking Light Panel Bonding Strip (lip)- Lh	67	1	73.00	
54-08P	Parking Light Panel Bonding Strip (lip)- Rh	67	1	73.00	
54-09A	Fender Side Louver Panel (mm) Lh	63-4	1	315.00	
54-09B	Fender Side Louver Panel (mm)- Rh	63-4	1	315.00	
54-09C	Fender Side Louver Panel- Lh	65-6	1	335.00	
54-09D	Fender Side Louver Panel- Rh	65-6	1	335.00	
54-09E	Fender Side Louver Panel- Lh	67	1	349.00	
54-09F	Fender Side Louver Panel- Rh	67	1	349.00	
54-10A	Side Fender Bonding Strip (to Hood Surround) Lh	63-4	1	118.00	
54-10B	Side Fender Bonding Strip (to Hood Surround) Rh	63-4	1	118.00	
54-10C	Side Fender Bonding Strip (to Hood Surround) Lh	65-6	1	118.00	
54-10D	Side Fender Bonding Strip (to Hood Surround) Rh	65-6	1	118.00	
54-10E	Side Fender Bonding Strip (to Hood Surround) Lh	67	1	118.00	
54-10F	Side Fender Bonding Strip (to Hood Surround) Rh	67	1	118.00	
54-11A	Fender Tips (for Removing Side Pipes)(front)(pr)	63-7	1 PR	99.00	PAIR
54-11B	Fender Tips (for Removing Side Pipes)(rear)(pr)	63-7	1 PR	99.00	PAIR
54-12A	Inner Fender Skirt- Lh	65	1	398.00	
54-12B	Inner Fender Skirt- Rh	65	1	398.00	
54-12C	Inner Fender Skirt- Lh	66-7	1	398.00	
54-12D	Inner Fender Skirt- Rh	66-7	1	398.00	
54-12E	Inner Fender Skirt- Lh	63	1	398.00	
54-12F	Inner Fender Skirt- Rh	63	1	398.00	
54-12G	Inner Fender Skirt- Lh	64	1	398.00	
54-12H	Inner Fender Skirt- Rh	64	1	398.00	
54-13A	Rear Deck Panel (roadster) (ships Direct 4 Mo)	63-7	1	910.00	
54-13B	Top & Rear Deck- Coupe (windshield To Rear) * Ships Truck F/C	64-7	1	1745.00	
54-13C	Top & Rear Deck- Coupe (windshield To Rear)	63	1		N/A
54-14A	Rear Deck- Side Bonding Strip- Lh	63-4	1	85.00	
54-14B	Rear Deck- Side Bonding Strip- Rh	63-4	1	85.00	
54-14C	Rear Deck- Side Bonding Strip- Lh	65-7	1	85.00	
54-14D	Rear Deck- Side Bonding Strip- Rh	65-7	1	85.00	

54-15A	Rear Deck- Rear Bonding Strip	63-4	1	85.00	
54-15B	Rear Deck- Rear Bonding Strip	65-6	1	85.00	
54-15C	Rear Deck- Rear Bonding Strip	67	1	85.00	
54-16A	Rear Fender- Lh	63-4	1	430.00	
54-16B	Rear Fender- Rh	63-4	1	430.00	
54-16C	Rear Fender- Lh	65-6	1	430.00	
54-16D	Rear Fender- Rh	65-6	1	430.00	
54-16E	Rear Fender- Lh	67	1	430.00	
54-16F	Rear Fender- Rh	67	1	430.00	
54-17A	Rear Fender Splash Panel- Lh	63-4	1	85.00	
54-17B	Rear Fender Splash Panel- Rh	63-4	1	85.00	
54-17C	Rear Fender Splash Panel- Lh	65-7	1	85.00	
54-17D	Rear Fender Splash Panel- Rh	65-7	1	85.00	
54-18A	Roadster Body Lock Pillar Cover- Lh	63-7	1	155.00	
54-18B	Roadster Body Lock Pillar Cover- Rh	63-7	1	155.00	
54-18C	Coupe Body Lock Pillar Cover- Lh	63-7	1	155.00	
54-18D	Coupe Body Lock Pillar Cover- Rh	63-7	1	155.00	
54-19A	Rear Light Panel	63-4	1	350.00	
54-19B	Rear Light Panel (w/bu Light Hole)	67	1	369.00	
54-19C	Rear Light Panel	65-6	1	350.00	
54-20A	Rear Panel Vertical Bonding Strip- Lh	63	1	73.00	
54-20B	Rear Panel Vertical Bonding Strip- Rh	63	1	73.00	
54-20C	Rear Panel Vertical Bonding Strip- Lh	64	1	73.00	
54-20D	Rear Panel Vertical Bonding Strip- Rh	64	1	73.00	
54-20E	Rear Panel Vertical Bonding Strip- Lh	65-7	1	73.00	
54-20F	Rear Panel Vertical Bonding Strip- Rh	65-7	1	73.00	
54-21A	Lower Rear Filler Panel (with Tabs)	63	1	349.00	
54-21B	Lower Rear Filler Panel (no S/p)	64-5	1	369.00	
54-21C	Lower Rear Filler Panel (no S/p)	66-7	1	300.00	
54-21D	Rear Lower Filler Panel (sidepipes)	65-7	1	299.00	
54-21E	Rear Valance Panel Tabs (pr)	63	1 PR	78.00	PAIR
54-21F	Flanges Only For Exhaust Panel Holes(not Pm)(pr)	63	1 PR	78.00	PAIR
54-21G	Flanges Only For Exhaust Panel Holes (pr)	64-5	1 PR	85.00	PAIR
54-22A	Small Fender Flair Removal Panels (4 Pc) (small= 25" Long & 3" Above Body Line)	63-7	1 SET	335.00	SET
54-22B	Large Front Fender Flair Removal Panels (pr)	63-7	1 PR	490.00	PAIR
54-22C	Large Rear Fender Flair Removal Panels (pr)	63-7	1 PR	425.00	PAIR
54-23	Hood Block Fiberglass Reinforcements(see 20-36)				
54-24A	Fender Skirt Bonding Strips- Lh	63	1 PR	99.00	PAIR
54-24B	Fender Skirt Bonding Strips- Rh	63	1 PR	99.00	PAIR
Rivets: See Section 55 For Rivet Setting Tools.					
54-25	Rivets- 3/16" X 3/8" Large Flat Head Aluminum (100)			10.00	SET
54-26	Rivets- 3/16" X 5/8" Large Flat Head Aluminum (100)			10.00	SET
54-26B	Rivets- 3/16x1/2" Countersunk/flat Head Aluminum (100)			10.00	SET
54-26C	Rivets- 1/8x5/16" Universal Head(panhead) Aluminum (100)			10.00	SET
54-26D	Rivets- 3/16x7/16" universal Head(panhead) Aluminum (100)			10.00	SET
54-26E	Heater Box Semitubular Rivets (9/64x5/16")(50)	63-7	1	10.00	SET
54-26F	Semitubular Rivets (9/64x1/4")(50)			10.00	SET
54-27A/B	Door Skin- Coupe- (not Mm)	63-4E	1		N/A
54-27C	Door Skin- Coupe- Lh (not Mm) *ships Direct	64L-7	1	345.00	
54-27D	Door Skin- Coupe- Rh (not Mm) *ships Direct	64L-7	1	345.00	
54-28A	Door Skin- Roadster- Lh (not Mm)	63-4E	1	275.00	
54-28B	Door Skin- Roadster- Rh (not Mm)	63-4E	1	275.00	
54-28C	Door Skin- Roadster- Lh (not Mm)	64L-7	1	275.00	
54-28D	Door Skin- Roadster- Rh (not Mm)	64L-7	1	275.00	
54-29A	Plenum Panel (lh)(not Mm)	63-4	1	135.00	
54-29B	Plenum Panel (rh)(not Mm)	65-6	1	135.00	
54-29C	Plenum Panel (lh)(not Mm)	67	1	135.00	
54-30A	Plenum Panel (rh)(not Mm)	63-4	1	135.00	
54-30B	Plenum Panel (rh)(not Mm)	65-6	1	135.00	
54-30C	Plenum Panel (rh)(not Mm)	67	1	135.00	
54-31	Cowl Upper Panel (the Part Surround Glues To)	63-7	1	299.00	
54-32A	Rear Quarter Panel Front Splash Panel- Lh	63-7	1	85.00	
54-32B	Rear Quarter Panel Front Splash Panel- Rh	63-7	1	85.00	
54-33A	Door Hinge Pillar Cover- Lh	63-7	1	145.00	
54-33B	Door Hinge Pillar Cover- Rh	63-7	1	145.00	
54-34A	Door Sill Fiberglass (lh)(not Mm)	63-4	1	182.00	
54-34B	Door Sill Fiberglass (rh)(not Mm)	63-4	1	182.00	
54-34C	Door Sill Fiberglass (lh)(not Mm)	65-6	1	182.00	
54-34D	Door Sill Fiberglass (rh)(not Mm)	65-6	1	182.00	
54-34E	Door Sill Fiberglass (lh)(not Mm)	67	1	182.00	
54-34F	Door Sill Fiberglass (rh)(not Mm)	67	1	182.00	
54-35A	Door Sill Fiberglass Extension (lh)(not Mm)	63-4	1	55.00	
54-35B	Door Sill Fiberglass Extension (rh)(not Mm)	63-4	1	55.00	
54-35C	Door Sill Fiberglass Extension (lh)(not Mm)	65-6	1	55.00	
54-35D	Door Sill Fiberglass Extension (rh)(not Mm)	65-6	1	55.00	
54-35E	Door Sill Fiberglass Extension (lh)(not Mm)	67	1	55.00	
54-35F	Door Sill Fiberglass Extension (rh)(not Mm)	67	1	55.00	
54-36A	Floorboard Shifter Area	63-7	1	245.00	
54-36B	Floorboard Rear U-joint Area	63-7	1	240.00	