

Section # 40 396 & 427 Rear Stabilizer Bar And Hardware

Sec-Part#	Name	year	#need/car	price
40-01	Rear Stabilizer BUSHINGS(2) (396/427)	65-7	1 PR	\$ 12.00 PAIR
40-02	Rear Stabilizer Bracket On Frame (396/427)	65-7	2	8.50 Each
40-03	Frame Bracket Bolts (anchor)(4 Pc)	65-7	1 SET	5.00 Set
40-04	Rear Stabilizer Bar (9/16")(396/427)	65-7	1	225.00
40-05	Stabilizer Bracket Nut Plate On Torque Arm	65-7	2	8.50 Each
40-06	Stabilizer Bracket Bolts & Washers (4 Ea)(WB)	65-7	1 SET	3.00 Set
40-07	Stabilizer Bracket On Torque Arm	65-7	2	7.00 Each
40-08	Stabilizer Bracket Bushing & Link Bushing	65-7	4	7.00 Each
40-09	Stabilizer Link	65-7	2	10.50 Each
40-10	Stabilizer Link Bolts & Nuts (4 Ea)	65-7	1 SET	4.75 Set
40-11	Stabilizer Bushing Retainer	65-7	2	7.50 Each
40-12 ▶	Rear Stabilizer Bar + Hdwre (#1-11 all of above)	65-7	1 SET	350.00 Set
40-13 ▶	Rear Stabilizer Hardware Set (without bar#4)	65-7	1 SET	125.00 Set

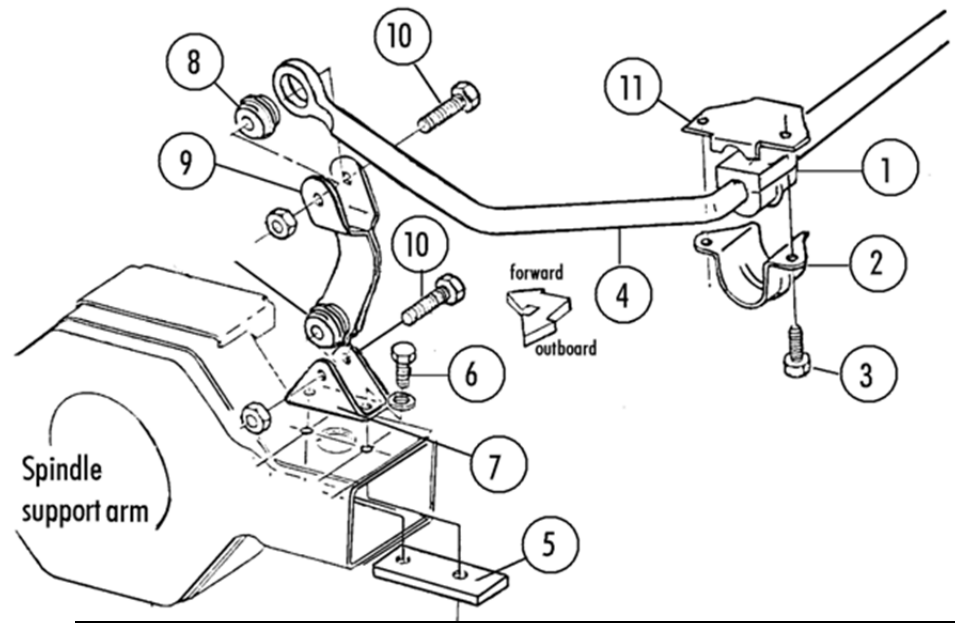
Section 41 Power Steering Hoses And Kits

Sect-part	name	year	#need/car	price
41-01	Drag Link Pivot Nut (see 50-09)			
41-02	Relay Rod (Power Steering) X	63-7	1	
41-03	Pitman Arm (P/S)	63-7	1	\$ 55.00
41-04	P/S Piston Bracket	63-7	1	47.00
41-05	Piston Bracket Bolt Plate (2),Nut & Washer Set	63-7	1 SET	10.00 Set
41-08	P/S Piston Nut & Cp	63-7	1	6.00
41-10	P/S Piston Cushion Retainers (pr)	63-7	1 PR	5.50 Pair
41-11	P/S Piston Rod Rubber Cushions (pr)	63-7	1 PR	5.00 Pair
41-12	P/S Piston Rod Cushion Spacer	63-7	1	3.00
41-26A ▶	Power Steering Hose Set (327)(4 Pc) (USA)	63-7	1 SET	69.00 Set
41-26B ▶	Power Steering Hose Set (396/427)(4 Pc) (USA)	65-7	1 SET	75.00 Set
41-13	xP/S Piston Retractor Hose ---see set	63-7	1	
41-14	xP/S Piston Extension Hose ---see set	63-7	1	
41-15	P/S Valve Clamp Bolt & Lw	63-7	1	1.25
41-17A	x P/S Valve- New x NOT AVAIL	63-7	1	
41-17D	P/S Valve: Seal,Clamp,O-Ring & Seal Kit (8 Pc)	63-7	1 SET	20.00 Set
41-18	xP/S Pump Hose- Return ---see set	63-7	1	
41-19B	P/S Pump Return Hose Clamp (replacement)	63-7	1	2.50
41-20	Hose clip, Power Steering Pump	63-7	1	5.25
41-21A	x Power Steering Pump Pressure Hose 327 >SEE SET 41-26A	63-7	1	-
41-21B	Power Steering Pump Pressure Hose (396/427)	65-7	1	28.00
41-22	Seal & Clamp Kit (power Steering Valve)(correct)	63-7	1	10.00
41-23	Rivets- (steering Arm Plugs)(see Sect 49-58)	63-7		
41-24A	Power Steering Cylinder/piston- New	63-7	1	\$ 225.00
41-25	Power Steering Valve Small Nut & Cap	63-7	1 SET	15.00 Set
41-26A ▶	Power Steering Hose Set (327)(4 Pc) (USA)	63-7	1 SET	69.00 Set
41-26B ▶	Power Steering Hose Set (396/427)(4 Pc) (USA)	65-7	1 SET	75.00 Set
41-27A	Nut & Cp For P/S Piston Stud (1+1)	63-7	1 PR	0.50 Pair
41-27B	Boot For P/S Piston Stud	63-7	1	5.00

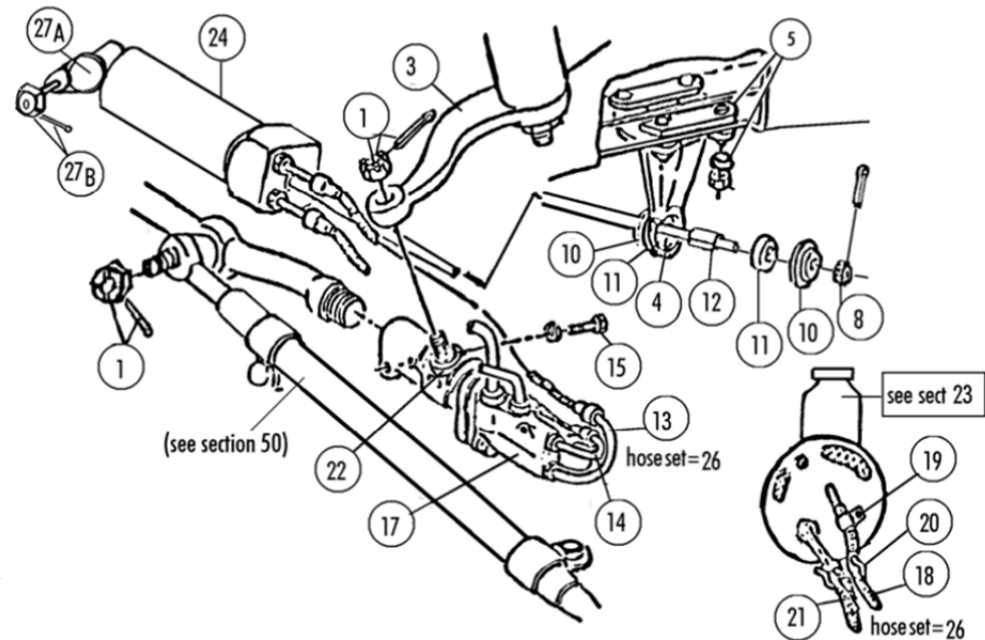
▶ **Add Power steering**, includes: rebuilt pump, rebuilt valve & rebuilt piston, drag Link, pitman arm, hoses, brkts, bolts (no belts), includes pump pulley and "add on groove" p/s pulley

>>> **SELLING THESE KITS OFF:** only have 1 of each --- see online for availability

41-30A ▶	P/S Set Up (327/250-300hp)or(65-7 350hp With A/C)	63-7		DISCONTINUED.
41-30B ▶	P/S Set Up (65-7/350HP no A/C) & (63-5 340,360,365hp) -LAST ONE -			\$ 900.00
41-30C	X Power Steering Set Up (396/427) x no more	65-7		DISCONTINUED



Section 41 Power Steering Hoses And Kits



See -Section 23 For Pump And Mounting -Brackets, Pump Pulley
 -Section 24 Pulleys
 -Section 59 Belts