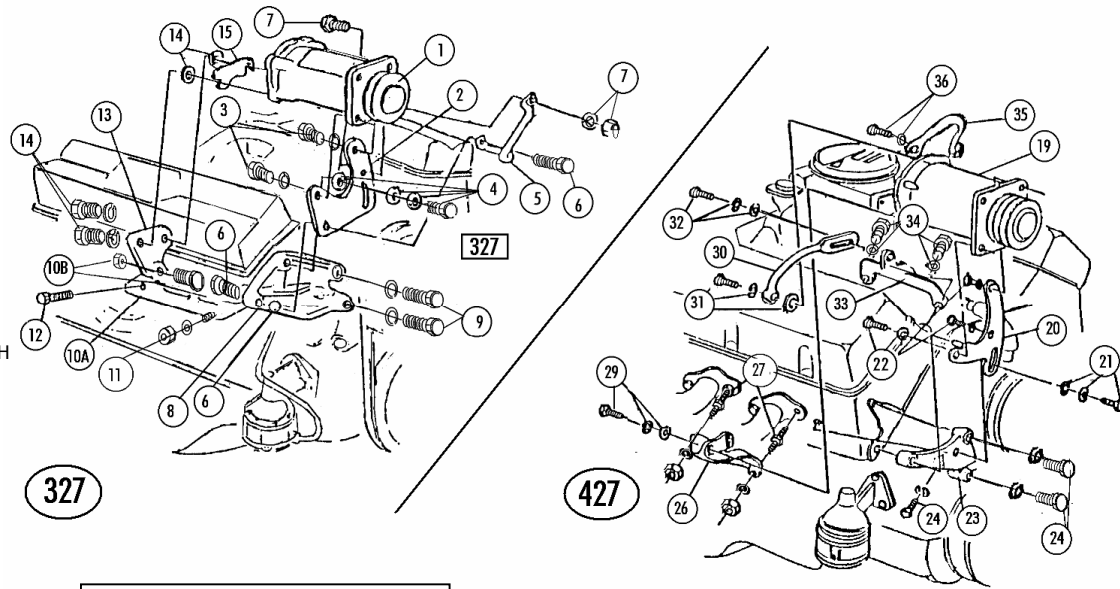


Section #34 Air Cond Brackets 327 & 427

327 Air Cond Brackets					
34-01A	A/C Compressor & Clutch (replacement)(rebuilt)	63-7	1	\$ 350.00	
34-01B	A/C Compressor Pulley (327/365hp)	64-5	1	250.00	
34-02	Compressor Front Brace	64-7	1	35.00	
34-03	Compressor Bolt (2)	64-7	1 SET	6.00	SET
34-04	Compressor Brace Bolt(tr), Washer & Lw	64-7	1	1.50	
34-05A	Hose Bracket On Compressor	63	1	10.00	
34-05B	Hose Bracket On Compressor	64-7	1	20.00	
34-06	Hose Bracket Bolt(tr) & Locknut	64-7	1	3.00	
34-07	Hose Bracket Bolt, Lw & Locknut	64-7	1	1.00	
34-08	Compressor Front Bracket	64-7	1	44.00	
34-09	Front Compressor Bracket Bolts & Lw (tr)(2 Ea)	64-7	1 SET	6.00	SET
34-10A	Lower Compressor Support Bracket	64-7	1	50.00	
34-10B	Compressor Rear Bkt Bolt & Locknut Set	63-7	1 SET	2.00	SET
34-11	Compressor Lower Bracket Stud, Lw, Nut	64-7	1	10.00	
34-12	Compressor Lower Bracket Bolt	64-7	1	6.00	
34-13	Compressor Rear Bracket	64-7	1	14.00	
34-14	Compressor Rear Bkt Bolts, Lw, & Washers (2 Ea)	64-7	1 SET	3.00	SET
34-15	Compressor Rear Shim	64-7	1-4	4.00	EACH
34-17,18	Intake A/C Vacuum Fitting (see Sect 21-27); 34-18 Vacuum Hose A/C (see 35-51)				
427 Air Cond Brackets					
34-19	A/C Compressor & Clutch (replacement)(rebuilt)	66-7	1	\$ 350.00	
34-20	Compressor Front Brace	66-7	1	39.00	
34-21	Compressor Brace Pivot Bolt, Lw, Fw	66-7	1	1.00	SET
34-22	Compressor Front Bracket Bolt (3)	66-7	1 SET	9.00	SET
34-23	Compressor Front Bracket	66-7	1	92.00	
34-24	Compressor Front Bracket Bolts & Lw (3 Ea)	66-7	1 SET	3.50	SET
34-26	Compressor Rear Bracket	66-7	1	78.00	
34-27	Compressor Bracket Stud, Nut & Lw (2 Ea)	66-7	1 SET	11.00	SET
34-29	Compressor Rear Bracket Bolt, Lw, Fw	66-7	1	1.75	
34-30	Compressor Rear Brace Rod	66-7	1	40.00	
34-31	Compressor Brace Rod Bolt, Lw & Spacer	66-7	1	4.00	
34-32	Compressor Rod Adjusting Bolt(tr), Lw, Fw	66-7	1	1.50	
34-33	Compressor Rod Bracket On Intake	66-7	1	58.00	
34-34	Intake Bracket Bolts & Lw (tr)(2 Ea)	66-7	1 SET	6.00	SET
34-35	Hose Bracket On Compressor (427)	66-7	1	35.00	
34-36	Hose Bracket Bolt & Lw	66-7	1	0.75	

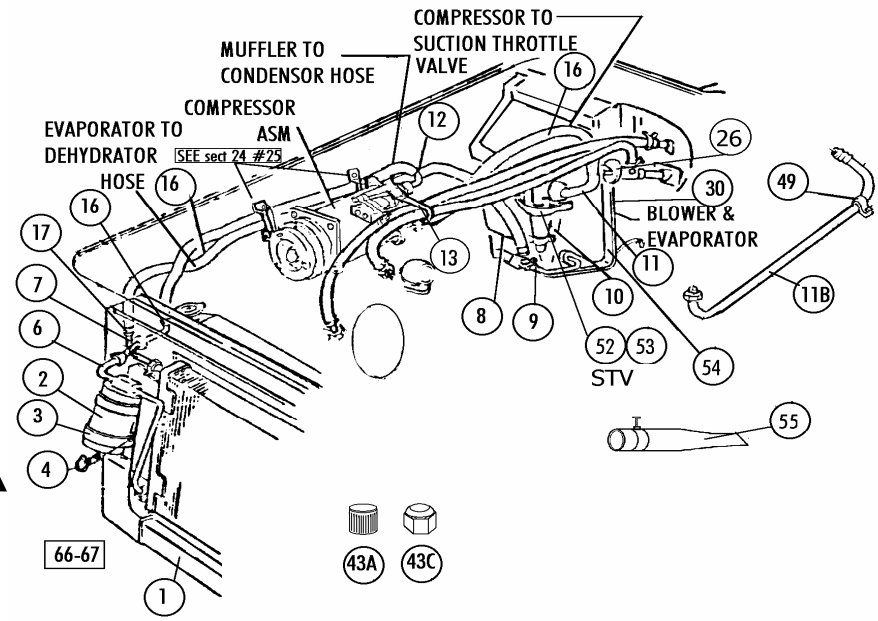


SECTION 34 AIR COND BRACKETS

Section #35 A/C Fittings, Condensers, Driers, Evap, Hoses ...

35-01 A/C Condenser- All Correct Aluminum Core, Tubes, Correct Square Blocks Etc ...					
35-01A	A/C Condenser- All Correct Aluminum -slant Top Square Blocks, Aluminum Tubes Etc...	63-5	1	\$ 300.00	
35-01B	A/C Condenser All Correct Aluminum- Square Top 66/427 Late After Dec 65 & All 67 327/427	66-7	1	300.00	
35-01C	A/C Condenser-correct, aluminum- Slanted Top 66/427 Before Jan 66 & 66/327 All	66	1	300.00	
35-02	Receiver Drier (Delco Replacement)	63-7	1	52.00	
35-02A	Receiver Drier- Rebuilt Original	63-7	1	N/A	
35-03	Receiver Drier Brackets (pr)	63-7	1 PR	12.00	PAIR
35-04	Receiver Drier Bracket Screws (pr)	63-7	1 PR	1.00	PAIR
35-05	Tube & Fitting- Condenser To Receiver Drier	63-5	1	55.00	
35-06A	Tube & Fitting- Receiver Drier To Hose	63-5	1	29.00	
35-06B	Fitting- Receiver Drier To Hose	66-7	1	39.00	
35-07A	Fitting- Condenser To Hose	63-5	1	39.00	
35-07B	Fitting- Condenser To Hose-early(over Rad Suppt)	66E	1	39.00	
35-07C	Fitting- Condenser To Hose Late (thru Rad Suppt)	66-7	1	39.00	
35-08A	Fitting- Expansion Valve To Hose (90 Degree)	63-5	1	25.00	
35-08B	Fitting- Expansion Valve To Hose (straight)	66-7	1	20.00	
35-09A	Expansion Valve (replacement)	63-7	1	49.00	
35-09B	Expansion Valve (n.o.s.)	63-7	1	N/A	
35-09C	Plastic Tie & Screw For Exp Valve Tubes	63-7	1	3.00	
35-10A	POA Valve	67	1	N/A	
35-10B	STV Diaphragm Kit	63-6	1	65.00	
35-10C	STV Graphite Lubricant (6.5g)	63-6	1	2.00	
35-10D	STV Eliminator Kit (spl Fitting Eliminates STV Valve)	63-6	1	170.00	
35-10F	POA Eliminator Kit (replaces POA With Eliminator Valve)	67	1	95.00	
35-11A	Fitting- STV Valve To Hose	63-6	1	45.00	
35-11B	Fitting- POA Valve To Hose	67	1	45.00	
35-12A	Compressor Fitting & Muffler (327)	63-4E	1	95.00	
35-12B	Compressor Fitting & Muffler (327)	66-7	1	95.00	
35-12C	Compressor Fitting & Muffler (427)	66L-7	1	95.00	
35-12D	Compressor Fitting Bolt, Lw & Spacer	63-7	1	3.00	
35-12E	Compressor Fitting & Muffler (327)	64L-5	1	95.00	
35-12F	Compressor Muffler Fitting (427) (early/pre Jan)	66E	1	95.00	
35-13	Rod Hose Clamp 327 see Sect 34-05 427 see section 34-35				
35-14,15	Fender Hose Clamp and T (see Sect 24-) Heater Hoses and Clamp Sets (see Sect 24)				
35-16	A/C Hose Set (3 Pc)(without Logos)	63-7	1 SET	60.00	SET
35-16B	A/C Hose Set (3 Pc)(with Logos)	63-7	1 SET	125.00	SET
35-17	A/C Hose Clamp Set (O.E.M.)	63-7	1 SET	12.00	SET
35-26B	Heater Shutoff Valve (Brass Correct Reproduction)	63-7	1	99.00	
35-27	Heater Shut-off Valve Bracket	63-7	1	12.50	
35-28	Heater Valve Bracket Screw	63-7	1	0.50	
35-29	Heater Valve Clip	63-7	1	4.50	

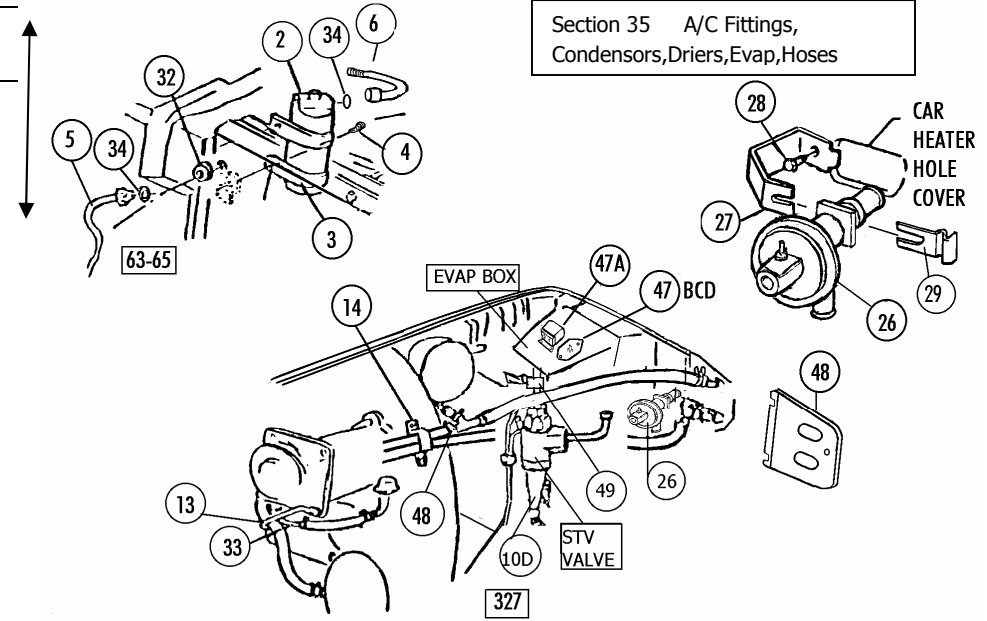
Section 35 Air Cond Fittings



See Photos on website www.licorvette.com

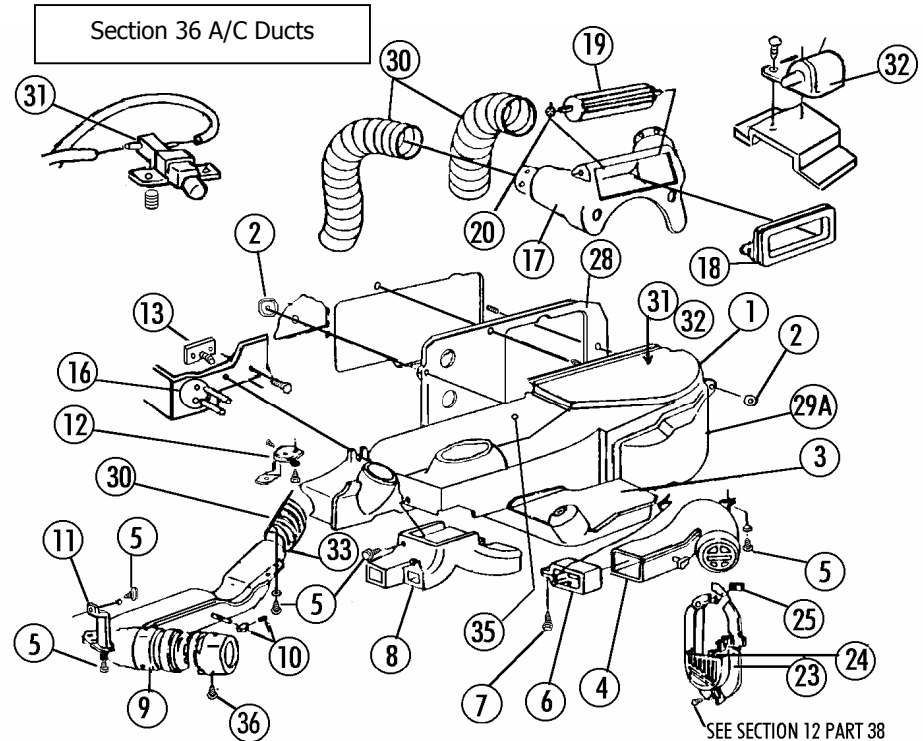
Section #35 A/C Fittings, Condensors, Driers, Evap, Hoses

35-30A	Evaporator Core	63-5	1	\$ 295.00	EACH
35-30B	Evaporator Core	66	1	295.00	N/A
35-30C	Evaporator Core	67	1	295.00	N/A
35-30D	Screws & U-nuts For Evap Core (4+4)	63-7	1 SET	4.00	SET
35-31	A/C Blower Motor (see 37-31b)	64-7			
35-32A	Grommet (A/C Fitting Through Support)	63-5	1	15.00	EACH
35-32B	Grommet (A/C Fitting Through Support)	66-7	2	15.00	EACH
35-33A	Heater Hose Tube (327-A/C)	63	1	20.00	
35-33B	Heater Hose Tube (327-A/C)(thru 1/66)	64-6E	1	20.00	
35-34	Air Conditioning O-ring Set (12 Pc)	63-7	1 SET	6.00	SET
35-35	Horn Bracket With Rivets (A/C)(rh)	66-7	1	10.00	
35-43A	Original Style A/C STV/POA Valve Caps (aluminum)	63-7	1	10.00	
35-43B	Replacement A/C Fitting Caps	63-7	-	1.00	EACH
35-43C	Orig Style A/C Muffler Fitting Caps (brass Hex)	63-7	1-2	10.00	EACH
35-44	No Drip Insulation Tape	63-7	1	3.50	
35-45A	A/C Wiring Harness (see Sect 43)				
35-46	A/C Blower Motor Rubber Cooling Tube (n.o.s.)	63-7	1	40.00	
35-47A	A/C Relay (replacement)	63-7	1	19.00	
35-47B	A/C Blower Motor Resistor	63-7	1	32.00	
35-47C	A/C Blower Resistor Gasket	63-7	1	2.00	
35-47D	Screws For Blower Relay & Resistor (4)	63-7	1 SET	2.00	SET
35-47E	Plug- Heater Box Resistor	63-7	1	5.00	
35-48	Heater Cover Plate (A/C)	63-7	1	50.00	
35-49A	POA Tube Clamp & Screw	67	1	1.00	
35-49B	Clamp & Screw For Evap Tube To STV (on Evap Box)	63-6	1	3.50	
35-50A	Vacuum Line Plastic Tee (before May 64)	63-4E	1	2.50	
35-50B	Vacuum Line Plastic Tee (after April 64)	64L-6	1	2.50	
35-51A	Air Conditioning Vacuum Hose Set (before 5/5/64)	63-4E	1 SET	20.00	SET
35-51B	Air Conditioning Vacuum Hose Set (after 5/5/64)	64L-7	1 SET	20.00	SET
35-52	STV Valve Bracket (with 2 Nuts & 2 Screws)	63-6	1	75.00	
35-52B	Screws & Nuts (2+2) For STV Bracket Mounting	63-6		2.00	
35-53A	POA Valve Bracket On Box	67		25.00	
35-53B	POA Valve Bracket (to Valve)	67	1	25.00	
35-54	Screw Set For Metal A/C Box On Cowl (38 Pc)	63-7	1 SET	15.00	SET
35-55	Drain Hose & Clamp For Evaporator Box	63-7	1	10.00	
35-99	Replacement Ac Coolant (compatible With R12)18oz	63-7	2	10.00	EACH



Section #36 Air Conditioning Ducts, Brackets Bezels

36-01	Complete Inner A/C & Heater Box (incl 03,29A,35)	64-7	1	\$ 950.00	(no discounts)
36-02	A/C Heater Box Nuts (9 Pc)	63-7	1 SET	2.25	SET
36-03	Center Lower A/C Plastic Distrib Duct & Door	63-7	1	110.00	
36-03C	Screws For Lower Duct Extension (#36-03)(8 Pc)	63-7	1 SET	6.00	SET
36-04	Rh A/C Duct (with Flap, Knob & Metal Ball)	63-7	1	270.00	
36-04R	Rh A/C Duct (replacement- No Shut Off Flap)	63-7	1	145.00	
36-05	Duct Screws & Washers (8 Pc)	63-7	1 SET	2.00	SET
36-06	Rh Duct Clamp & Screw	63-7	1	30.00	
36-07	Duct Clamp Screw	63-7	1	0.75	
36-08B	Center Y Duct (plastic Replacement)	64-7	1	145.00	
36-09A	Lh A/C Duct (with Flap, Knob & Metal Ball)	63-6	1	305.00	
36-09AR	Lh A/C Duct (replacement- No Shut Off Flap)	63-6	1	185.00	
36-09B	Lh A/C Duct (with Flap, Knob & Metal Ball)	67	1	305.00	
36-09BR	Lh A/C Duct (replacement- No Shut Off Flap)	67	1	185.00	
36-10	Chrome Knob For Air Cond Duct	63-7	2	20.00	EACH
36-11	Lh Bracket For Lh A/C Duct	63-7	1	20.00	
36-12A	Rh Bracket For Lh A/C Duct	63-6	1	35.00	
36-12B	Rh Bracket For Lh A/C Duct	67	1	30.00	
36-12C	Rh Bracket On Rh Duct	63-7	1	15.00	
36-13	Bolt Plate, Nut & Rivets (1,1,2)	63-7	1 SET	6.00	SET
36-16	Oil Line Grommet (see Sect 37-17b)				
36-17	Center Duct Housing	63-7	1	165.00	
36-18	Center Dash Duct Bezel	63-7	1	125.00	
36-19	Center Dash Duct Deflector	63-7	1	75.00	
36-20	Center Dash Duct Deflector Clips (2 Pc)	63-7	1 PR	0.50	PAIR
36-23	Rh Vent Grill (with A/C)(see 12-56c)	63-7	1	95.00	
36-24	Cable Bracket For Rh Vent Cable With A/C	63-7	1	14.00	
36-25	Bolt Plate	63-7	1	8.50	
36-28	Complete A/C-heater Box Gasket Set (25 Pc+32 R)	63-7	1	50.00	
36-28B	Air Cond Box Mounting Gasket Set (5 Pc Set)	63-7	1 SET	25.00	SET
36-28C	Inner Ac Box Mounting Gasket	63-7	1	8.00	
36-29A	Plenum Cover	63-7	1	45.00	
36-29B	Plenum Cover Screws (12 Pc)	63-7	1 SET	9.00	SET
36-30	Air Cond Duct Hose Set (3 Pc) (Correct type hose)	63-7	1	19.00	
36-31	Heater Vacuum Switch With A/C (on Heater Box) (original Brass Type)	64L-7	1	55.00	
36-31A	Heater Vacuum Switch With A/C (on Heater Box) (original Brass Type)	63-4E1	1	55.00	
36-31B	Nuts & Lw (2+2) For Vacuum Switch	63-7	1 SET	1.00	SET
36-32	Electric Shutoff Switch On A/C Heater Box	63-7	1	50.00	
36-32B	Screws For A/C Shutoff Switch (2)	63-7	1 PR	1.00	PAIR
36-33	A/C Duct Hose Clamps (pr)	63-7	1 PR	10.00	PAIR
36-34	A/C Duct Ball Felt Seals (4 Pc For 2 Balls)	63-7	1 SET	5.00	SET
36-35	A/C Heater Box Plastic Front Distribution Duct	63-7	1	150.00	
36-35C	Screws For A/C Front Distrib Duct (#36-35)(14)	63-7	1 SET	7.50	SET
36-36	A/C Duct Ball Retainer Screws (4)	63-7	1 SET	2.00	SET
36-37	A/C Duct Chrome Plated Metal Ball & Felt	63-7	2	60.00	EACH
36-37B	A/C Duct Plastic Ball (replacement)	63-7	2	20.00	EACH
36-38A	Duct Extension & Screws (lh)	63-6	1	40.00	
36-38B	Duct Extension & Screws (rh)	63-7	1	40.00	



Our Ducts #36-04,36-09a&B
With Shut Off Flap, Knob, Metal Balls & Extensions
See Photos online.