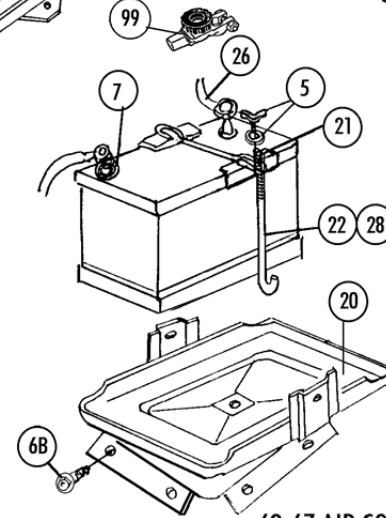
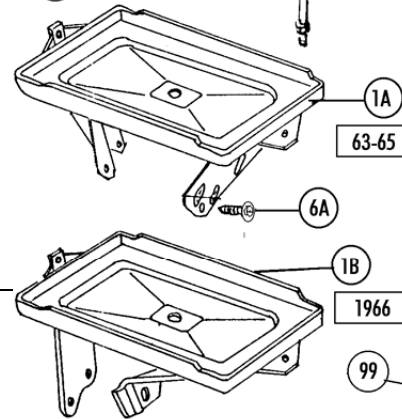
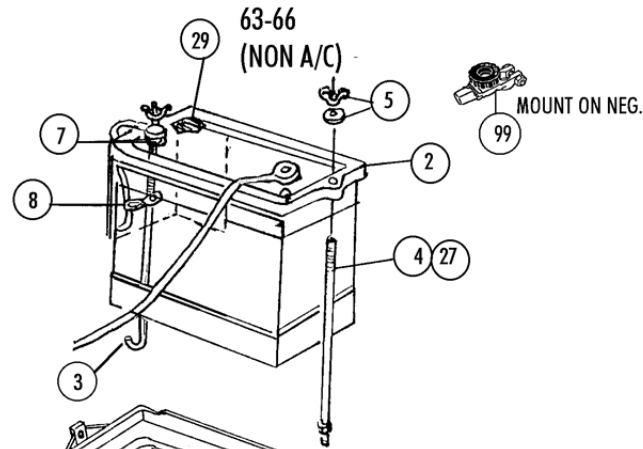
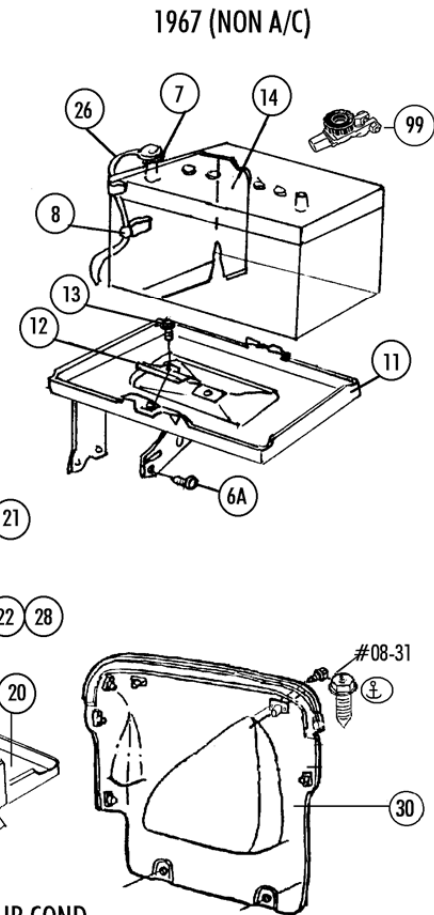


## Section # 27 Battery Trays And Hardware

Sec-Part#	Name	Year	#need/Car	Price	
27-01A	Battery Box (63-65 327 Non A/C)	63-5	1	\$ 52.00	
27-01B	Battery Box (66 non A/C)	66	1	55.00	
27-02	Battery Retainer And Shield (after 2/2/63)	63-6	1	32.00	
27-02A	Battery Retainer And Shield (before 2/2/63)	63E	1	36.00	
27-03	J-bolt (1),battery mount	63-6	1	4.00	
27-04	Stud And Nut, battery mount	63-7	1	4.00	
27-05	Wingnuts And Washers (2 Ea)	63-7	1 SET	3.00	Set
27-27 ▶	J-bolt,stud,wingnut Set (#3,4,5)	63-6	1 SET	10.00	Set
27-06A	Battery Box Mounting Bolt & Washer Set (4 Ea)	63-7	1 SET	4.00	Set
27-07	Positive Terminal Felt	63-7	1	0.75	
27-29	Battery Retainer Spacers (4 Pc) (63 early thru 10/18/62)	63E	1 SET	3.50	Set
<hr/>					
27-06A	Battery Box Mounting Bolt & Washer Set (4 Ea)	63-7	1 SET	4.00	Set
27-06B	Batt Box Mount Bolt & Wash Set(A/C Or 396)(6 Ea)	65L-7	1 SET	6.00	Set
27-06C	Batt Box Mount Bolt & Washer Set (A/C)(6 Ea)	63-5E	1 SET	6.50	Set
27-07	Positive Terminal Felt	63-7	1	1.00	
27-08	2-hole Plastic Strap (cable To battery shield)	63-7	1	2.00	
27-27 ▶	J-bolt,stud,wingnut Set (#3,4,5)	63-6	1 SET	10.00	Set
27-28 ▶	J-bolt & Wingnut Set (A/C Or 396)(#22,#5)	63-7	1 SET	11.00	Set
<hr/>					
<b>1967 non a/c</b>					
27-11	Battery Box- 67 (non a/c)	67	1	\$ 52.00	
27-12	Battery Retainer 'clamp'	67	1	9.00	
27-13	Battery Retainer Bolt (E Hdmmk)	67	1	0.75	
27-14	Battery Heat Shield- 67	67	1	22.00	
27-06A	Battery Box Mounting Bolt & Washer Set (4 Ea)	63-7	1 SET	4.00	Set
27-07	Positive Terminal Felt	63-7	1	1.00	
<hr/>					
<b>63-67 Air Cond or 1965 396</b>					
27-20	Battery Box (A/C Or 396)	63-7	1	\$ 58.00	
27-21B	Battery Retainer(A/C Or 396)(exact Reproduction)	63-7	1	22.00	
27-22	J-bolt (A/C Or 396) (battery)(1)	63-7	2	4.00	Each
27-28 ▶	J-bolt & Wingnut Set (A/C Or 396)(#22,#5)	63-7	1 SET	11.00	Set
27-06B	Batt Box Mount Bolt & Wash Set(A/C Or 396)(6 Ea)	65L-7	1 SET	6.00	Set
27-06C	Batt Box Mount Bolt & Washer Set (A/C)(6 Ea)	63-5E	1 SET	6.00	Set
27-07	Positive Terminal Felt	63-7	1	1.00	
27-30	Battery Access Panel W Hardware & Seal (396/A/C)	63-7	1 SET	169.00	Set
08-31	battery access panel hardware only (t-nuts, bolts,rivets)	63-7	1	22.00	set
<hr/>					
27-97	Battery Rejuvenator Fluid		1	\$ 3.95	
27-98	Battery Charger- Auto Level Adjusting		1	20.00	
27-99	Battery Saver/antitheft Shut Off Switch (toppost)	63-7	1	9.50	
<hr/>					
<b>Battery Cables Correct "Spring Ring" Type; Black/Brown With Writing (Lectric Ltd Brand)</b>					
43-08A	Spring Ring Battery Cables ,63-5 327 (no a/c)	63-5	1 PR	\$ 98.00	Pair
43-08B	Spring Ring Bat Cables, 63 A/C (with Braided Neg)	63	1 PR	98.00	Pair
43-08C	Spring Ring Battery Cables, 64-65 327 A/C	64-5	1 PR	98.00	Pair
43-08D	Spring Ring Battery Cables, 396	65	1 PR	98.00	Pair
43-08E	Spring Ring Cables, 327 A/C & 427 A/C	66-7	1 PR	98.00	Pair
43-08F	Spring Ring Battery Cables, 66-67 327 (no a/c)	66-7	1 PR	98.00	Pair
43-08G	Spring Ring Battery Cables, 66-67 427 (no a/c)	66-7	1 PR	98.00	Pair



**63-67 AIR COND  
65 396**



All of our battery boxes  
**#27-01A/B,11,20**  
**& 27-02 & 27-02B**  
**Made in USA**

SEE PHOTOS ONLINE

Correct legs- yes