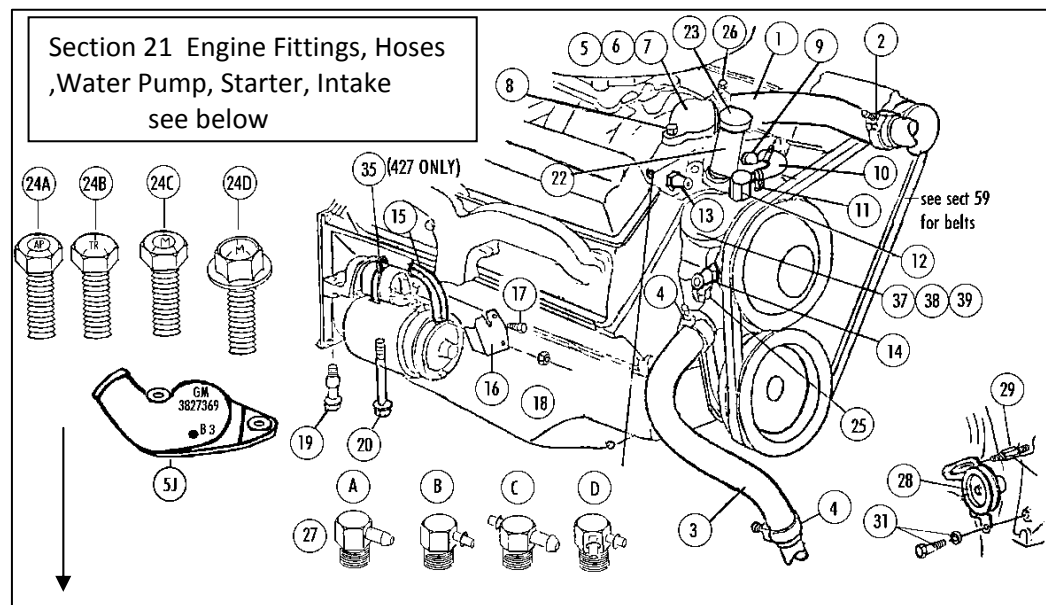
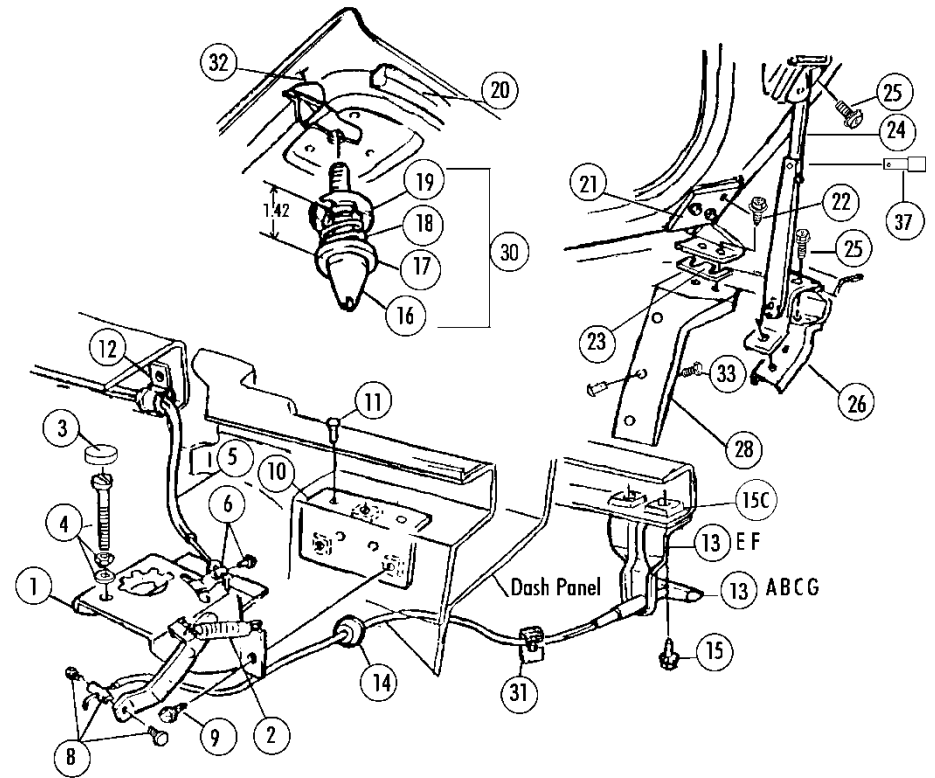


Section 20 Under Hood: Latches,Catches,Cables, Hood Releases

Part#	Name	Year	#Need/Car	Price Inc
(Catches, Latches, Hinges, Supports Are Correct Repro, With Special Washers & Markings)				
20-01A	Hood Catch Lh (comes With 2,3,4)	63-4	1	\$ 45.00
20-01B	Hood Catch Lh (comes With 2,3,4)	65-7	1	45.00
20-01C	Hood Catch Rh (comes With 2,3,4)	63-4	1	45.00
20-01D	Hood Catch Rh (comes With 2,3,4)	65-7	1	45.00
20-02	Hood Catch Springs (pr)	63-7	1 PR	5.00 PAIR
20-03	Hood Bumpers (with Part Number)(pr)	63-7	1 PR	3.00 PAIR
20-04	Bolt, Nut & Washer (2 Ea)(for Hood Bumper)	63-7	1 SET	2.00 SET
20-05	Hood Cable (catch To Catch)	63-7	1	7.00
20-06	Cable Retainers & Bolts (short)(2 Ea)	63-7	1 SET	4.50 SET
20-08	Cable Long Retainer & Bolts (1+2 Pc)	63-7	1 SET	4.25 SET
20-09	Hood Catch Bolts (6 Pc) (e Headmark)	63-7	1 SET	4.50 SET
20-10	Hood Catch Nut Plate (with Rivets)	63-7	2	12.50 EACH
20-11	Catch Bracket Rivets (8 Pc)	64-7	1 SET	2.00 SET
20-12	Wire J-clip (also see section 37-20 for sets)	63-7	9-19	1.50 EACH
20-12B	J-clip & Rivet On Hood Surround Lip (pr)	63-7	1 PR	3.50 PAIR
20-13A	Hood Release Cable, Handle & Bracket (non-a/c)	63-6	1	62.00
20-13B	Hood Release Cable, Handle & Bracket	67	1	35.00
20-13C	Hood Release Cable, Handle & Bracket (air Cond)	63-6	1	65.00
20-13E	Hood Release Bracket	63-6	1	15.00
20-13F	Hood Release Bracket (a/c)	63-6	1	30.00
20-13G	Hood Release (handle Only -no Wire)	63-6	1	22.00
20-14	Hood Release Grommet	63-7	1	0.75
20-15A	Hood Release Mtg Bolts (pr) (e Hdmdk)	63-6	1 PR	1.50 PAIR
20-15B	Hood Release Mtg Bolts (pr)	67	1 PR	1.50 PAIR
20-15C	A/c Hood Release Nut Plate	63-6	1	10.00
20-30▶	Hood Pin Set (2 Ea #16,17,18,19)	63-7	1 SET	49.00 SET
20-16	Hood Pin (correct Length)	63-7	2	13.00 EACH
20-17	Hood Pin Spring Retainer	63-7	2	4.50 EACH
20-18	Hood Pin Spring	63-7	2	5.00 EACH
20-19	Hood Pin Retainer (seat)	63-7	2	8.00 EACH
20-20	Hood Weatherstrip (Goto Sect 42-08)			
20-21A	Hood Hinge (lh)(100% Correct)	63-7	1	32.00
20-21B	Hood Hinge (rh)(100% Correct)	63-7	1	32.00
20-22	Hood Hinge Mounting Bolts (10 Pc) (e Headmark)	63-7	1 SET	7.50 SET
20-23A	Hood Hinge Shim- Thin (1/32" Thick)	63-7	-	3.00 EACH
20-23B	Hood Hinge Shim- Thick (1/16" Thick)	63-7	-	3.00 EACH
20-24	Hood Support (100% Correct)	63-7	1	42.00
20-25	Hood Support Bolt Set (correct Hdmdk)(4 Pc)	63-7	1 SET	5.25 SET
20-26	Support Reinforcement With Rivet	63-7	1	10.00
20-27	Hood Support Nut Plate Inside Hood	63-7	1	20.00
20-28A	Hinge & Radiator Reinforcement & Rivets (lh)	63-7	1	15.00
20-28B	Hinge & Radiator Reinforcement & Rivets (rh)	63-7	1	15.00
20-30▶	Hood Pin Set (2 Ea #16,17,18,19)	63-7	1 SET	49.00 SET
20-31	Clip- Hood Release Cable/vent Cable (non A/c)	63-6	1	5.00
20-32	Hood Weatherstrip Pins (metal)(pr)	67	1 PR	2.00 PAIR
20-33	Radiator Support Bolts & Lw (4 Ea) (wb)	63-7	1 SET	3.00 SET
20-34A	Hood Alignment Block On Hood- Plastic	63	2-4	13.50 EACH
20-34B	Hood Alignment Block On Body (metal)	63	2-4	36.00 EACH
20-34C	Hood Alignment Block Set (2 Upper/ 2 Lower)	63	1or2	84.50 SET
20-35	Hood Block Bolts & Washers (EL Headmark)(16 Ea)	63	1 SET	16.00 SET
20-36	Hood Block Fiberglass Reinforcements (pr)	63	1 PR	88.00 PAIR
20-37	Hood Support Pin (prevents Hood Closing In Wind)	63-7	1	5.00



Section 21 Engine: Radiator Hoses, Fitting, Oil Tubes, Water Pump Kits, Vacuum Fittings, Intake, Starter Mounting Etc

See below for descriptions