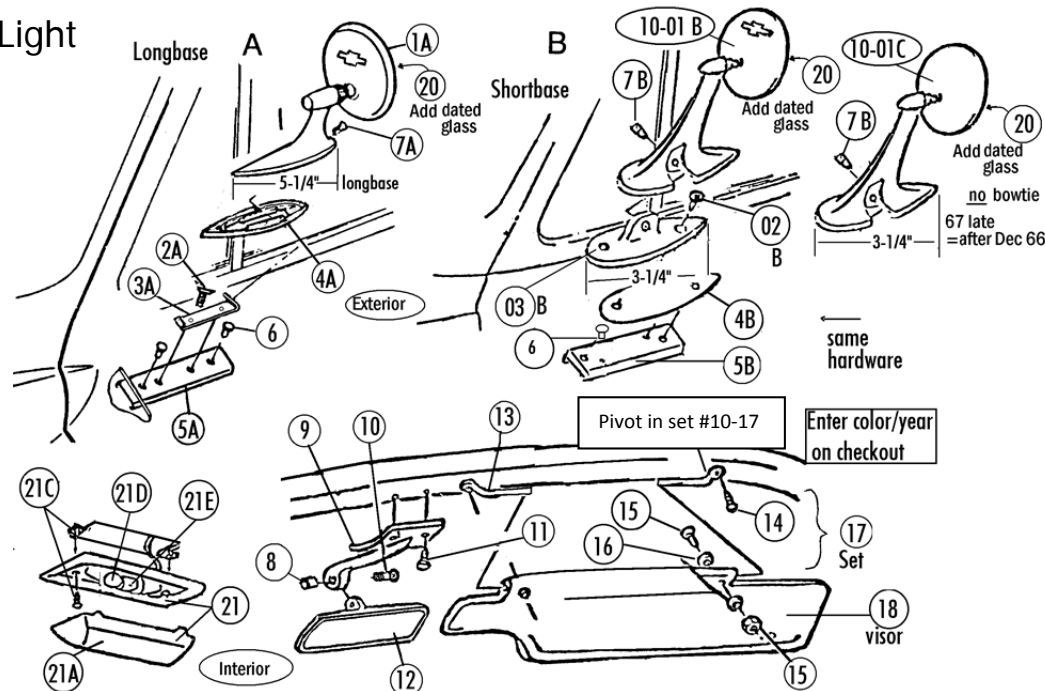
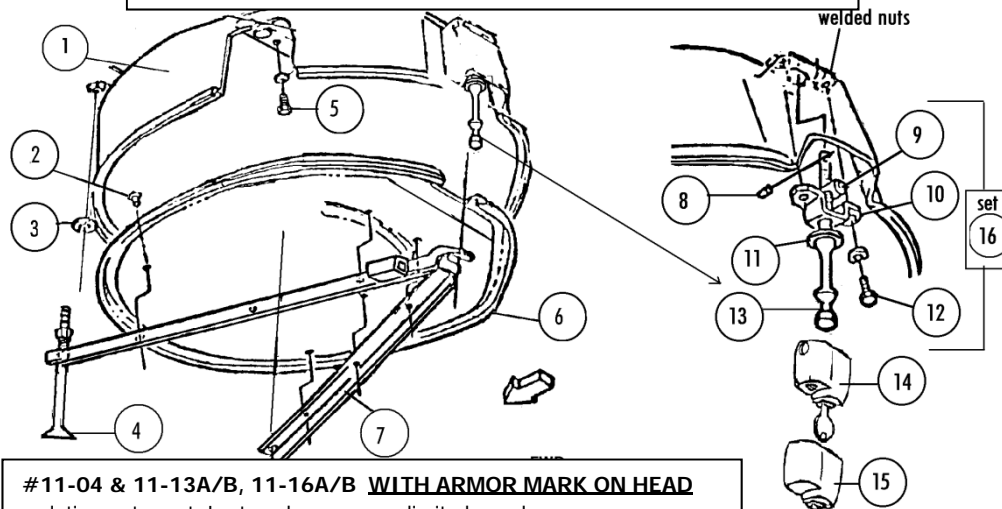


## Section #10 Mirrors -Interior & Sideview, Visors, Dome Light

Sec-Part#	Name	Year	#Need/Car	Price Inc
10-01A	Bowtie, <b>Longbase Sideview Mirror</b> (until #11133)	63E	1	\$ 60.00
10-01B	Bowtie, <b>Shortbase Sideview Mirror</b>	63L-7	1	79.00
10-01C	Sideview Mirror-shortbase (no Bowtie)(aft Dec66)	67L	1	75.00
10-20	Sideview Mirror <b>Glass- Dated</b> (month/year)	63-7	1	15.00
10-02A	Screws- Longbase (1 Pr)	63E	1 PR	1.00 Pair
10-02B	Screws- Shortbase (1 Pr)	63-7	1 PR	1.50 Pair
10-03A	Bracket- Longbase	63	1	6.00
10-03B	Bracket- Shortbase Mirror	63-7	1	7.00
10-04A	Gasket- Longbase	63	1	7.50
10-04B	Gasket- Shortbase (correct Tan Fiber)	63-7	1	1.50
10-05A	Plate- Longbase (inside Door)	63	1	10.00
10-05B	Plate- Shortbase (inside Door)	63-7	1	10.00
10-06	Rivets (2 Pc)	63-7	1 PR	0.50 Pair
10-07A	Mounting Screw- Longbase	63	1	0.75
10-07B	Mounting Allen Screw- Shortbase	63-7	1	2.50
10-08	Mirror Bushing	63-7	1	2.00
10-09A	<b>63-66 Inside Mirror Bracket</b>	63-6	1	57.00
10-09B	<b>67 Inside Mirror Bracket</b> (without Plastic Cover)	67	1	57.00
10-09C	Plastic Cover For Coupe Mirror Bracket (black)	67	1	39.00
10-09D	Plastic Cover For Coupe Mirror Bracket (red)	67	1	39.00
10-09E-J	10-09E= Bright Blue, 10-09F Saddle, 10-09G Green, 10-09H Teal, 10-09J White			
10-09M	Plastic Cover For All Roadster Mirror Bkt (silver)	67R	1	N/A
10-10	Inside Mirror Pivot Screw (with Shoulder)	63-7	1	2.00
10-11	Mirror Bracket Screws (1 Pr)	63-7	1 PR	1.00 Pair
10-12A	<b>Inside Mirror- Regular</b> (chrome)	63-6	1	48.00
10-12AD	<b>Inside Mirror- Dated</b> (give Vin # Or Date)	63-6	1	62.00
10-12B	x 63-66 Inside Day/night Mirror - Not Available	63-6	1	N/A
10-12E	67 Inside Day/night Mirror (new)(long Handle)	67-71	1	65.00
10-12F	67 Inside Day/night Mirror(new)(short square knob)	67E	1	125.00
	(short=square Knob Through About #2500 Nov 66)			
10-14	Visor Mounting Screws (4 Pc)	63-7	1 SET	2.00 Set
10-15	Visor Bolt & Nut (1 + 1) (ss)	63-7	4 PR	5.00 Pair
10-16	Special Washers For Visor Pivot (8 Pc)	63-7	1 SET	3.00 Set
10-17	<b>Visor Mounting Kit</b> (1 Car Set :pivots13,14,15,16)	63-7	1 SET	25.00 Set
10-18A	<b>Visor-coupe</b> (pr) ->(give Color & Year)	63-7	1 PR	99.00 Pair
10-18B	<b>Visor-roadster</b> (pr) ->(give Color & Year)	63-7	1 PR	99.00 Pair
10-19	Kit: Retainer, 3 Springs & Plate Kit (no Glass)	63-7	1	19.00
10-20	Sideview Mirror Glass- Dated (month/year)	63-7	1	15.00
10-21	<b>Coupe Dome Light ASM</b> (LIGHT,W Lens & Socket)	63-7	1	47.00
10-21A	<b>Lens</b> , Coupe Dome Light Lens	63-7	1	8.00
10-21C	Coupe Dome Light Screws & U-nuts	63-7	1 SET	1.50 Set
10-21D	Bulb, Courtesy Light/dome Light	63-7	3	1.00 Each
10-21E	<b>Coupe Or Roadster Dome Light Socket</b>	63-7	1	15.00 Each
10-21F	Courtesy Light Bracket & Screw (1)	63-7	1-3	7.50 Each



## Section 11 Tire Carrier And Mounting Hardware



### #11-04 & 11-13A/B, 11-16A/B WITH ARMOR MARK ON HEAD

>plating not great. Last we have. <very limited supply.

## Section # 11 Tire Carrier Tray and Hardware, Locks

Sec-Part#	Name	Year	#Need/Car	Price Inc
11-01	X <b>Tire Carrier Cover (Tub)</b> A=63until #14000) B=63L-67			<b>X DISCONTINUED</b>
11-02	Rivets (6 Pc) (brace To tray)	63-7	1 SET	1.50 Set
11-03	Lock Washers (2 Pc) (on long bolt#4)	63-7	1 PR	0.50 Pair
11-04A	Front Tire Bolt (63 Late-66 Reg. Wheels) (1)	63L-6	2	\$ 35.00 Each
11-04B	Front Tire Bolt (63E & 67 All, 63-66 Ko Whls) (1)	63E+7	2	35.00 Each
11-04C	Front Tire Bolt (65-6 Gold, 67 Red, radials) (1)	65-7	2	35.00 Each
11-05	Bolts & Washers- Tub Mounting (4) D Headmark	63-7	1 SET	3.25 Set
11-06	<b>Tire Carrier Tray (lid)</b>	63-7	1	\$ 260.00
11-07A	Tire Carrier <b>Brace</b> 63 (sq bkt)	63	1	60.00
11-07B	Tire Carrier <b>Brace</b> 64-67 (angled bkt)	64-7	1	60.00
11-08	Lock Bolt Pin	63-7	1	0.50
11-09	Lock Bolt Barrel Nut	63-7	1	5.00
11-10A	Tire Lock Bolt Bracket	63	1	12.50
11-10B	Lock Bolt Bracket	63L-7	1	10.00
11-11	Lock Bolt Spacer	63L-7	1	1.50
11-12	Lock Bolt Bracket Bolts (pr) (TR Hdmk)	63-7	1 PR	3.00 Pair
11-13A	<b>Tire Lock Bolt (with Armor Headmark)</b>	63	1	\$ 45.00
11-13B	<b>Tire Lock Bolt (with Armor Hdmk)</b> 63L-67 all excpt Red/Gold/radial			\$ 45.00
11-13CR	<b>Tire Lock Bolt</b> 65-67 Red/Gold/Radials (7-3/4") <b>NO HDMK</b>			<b>\$ 22.00</b>
11-14A	<b>Tire Lock</b> (correct Key/Ig Hole, replacement Cap)	63-6	1	59.00
11-14A3	Tire Lock (correct Key, Small Cap & Small Hole)	63	1	75.00

11-14A4	Tire Lock (correct Key, Small Cap & Lg Hole)	64	1	75.00
11-14B	Tire Lock (correct Lock & B Key)	67	1	69.00
11-14BM	Correct Tire Lock & Glove Box Lock(Keyed Alike)	67	1 PR	89.00 Pair
11-14C	Tire Lock (correct Key, Small Cap & Large Hole)	65-6	1	75.00
11-14CM	Correct Tire Lock & Glove Box Lock (keyed alike)	65-6	1 PR	89.00 Pair
11-15	Rubber Lock Cover (after Feb 63)	63L-7	1	10.00
11-17	Bumper (on 63 tire lock) before March 63	63	1	3.50
	(no more #13B/C tire lock bolt > only in sets #11-16...)			
11-16A	<b>Tire Lock Bolt Set</b> (8,9,10A,12,13A) (ARMOR HDMK)	63	1 SET	65.00 Set
11-16B	<b>Tire Lock Bolt Set</b> (8,9,10B,11,12,13B)Armor Hdmk	63L-7	1 SET	65.00 Set
	> 63L-67 all Except Red Or Gold Line Tires, Armor Hdmk (7")			
<b>11-16CR</b>	<b>Tire Lock Bolt Set</b> 65-67 Red/Gold/Radials (7-3/4") <b>*NO HDMARK*</b>			<b>\$42.00 SET</b>